

SQT101-335 - 68717

Square sealable container, transparent
PET

Product specifications

| | | | |
|-------------------|--------|-----------|----------|
| Material: | PET | Weight: | |
| Volume (nominal): | 335 ml | Length: | 101,6 mm |
| | | Width: | 101,6 mm |
| | | Height: | 63,7 mm |
| | | Diameter: | mm |



* Volume under lid depends upon the lid used. Values shown are applicable when standard lid is used.

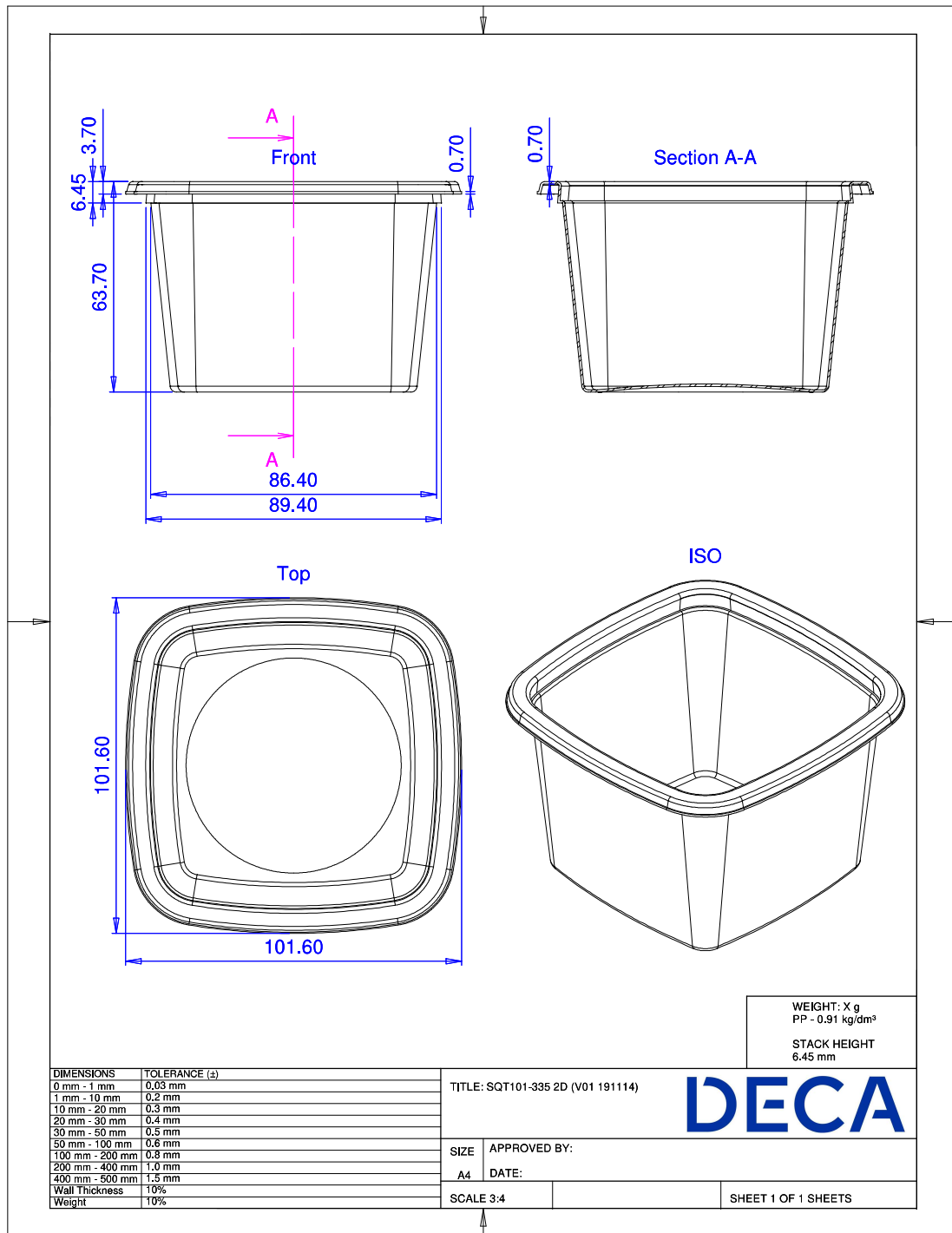
Packaging

| | |
|------------|---|
| Primary: | # in primary packaging: 756 pieces |
| Secondary: | # primary in secondary packaging: 1 piece Weight gross: 8,05 kg |
| Tertiary: | Europallet, 150x1200x800 # in tertiary packaging: 24 boxes = 18.144 pieces Weight gross: 213,2336 kg Standard height: 2.160 mm |

Uses / Certificates

| | |
|---------------------|--|
| Storage conditions: | Keep out of direct sunlight, keep dry, store in original closed packaging, at ambient temperature, relative humidity between 40 and 70%. |
| Expiration: | We recommend to use the products within 1 year after purchase. We can not be held responsible for use after this period. |
| Document retention: | 3 years after purchase |

All our products adhere to Regulation (EC) 1935/2004 and Regulation (EU) 10/2011 incl. amendments.



All our products adhere to Regulation (EC) 1935/2004 and Regulation (EU) 10/2011 incl. amendments.