

SQT101-300 - 68260

Square sealable container, transparent

Product specifications

Material:	PET	Weight:	9,4 gr
Volume (nominal):	300 ml	Length:	101,6 mm
		Width:	101,6 mm
		Height:	57,1 mm
		Diameter:	mm



* Volume under lid depends upon the lid used. Values shown are applicable when standard lid is used.

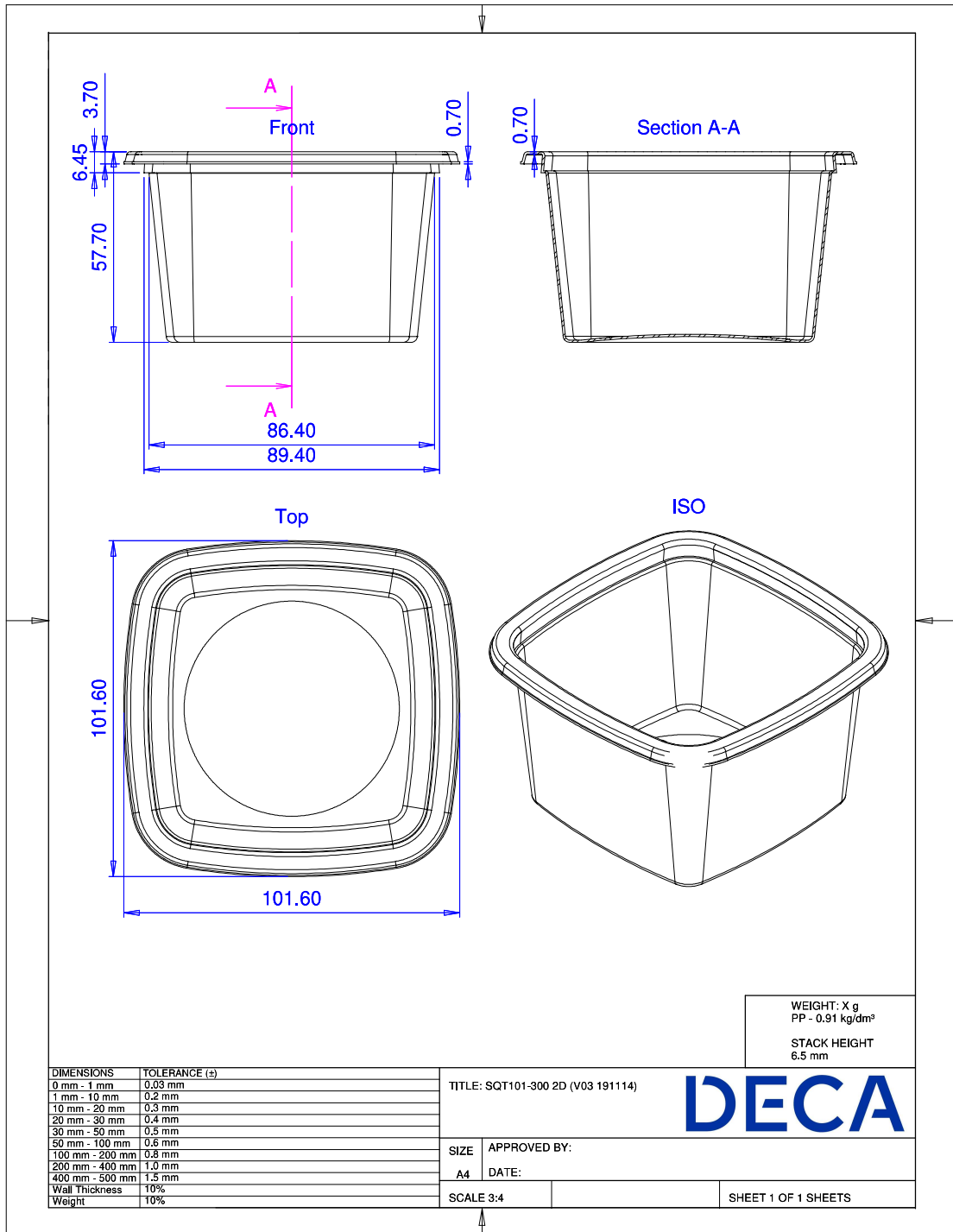
Packaging

Primary:	# in primary packaging: 756 pieces
Secondary:	# primary in secondary packaging: 1 piece Weight gross: 8,05 kg
Tertiary:	Europallet, 150x1200x800 # in tertiary packaging: 24 boxes = 18.144 pieces Weight gross: 213,2336 kg Standard height: 2.160 mm

Uses / Certificates

Storage conditions:	Keep out of direct sunlight, keep dry, store in original closed packaging, at ambient temperature, relative humidity between 40 and 70%.
Expiration:	We recommend to use the products within 1 year after purchase. We can not be held responsible for use after this period.
Document retention:	3 years after purchase

All our products adhere to Regulation (EC) 1935/2004 and Regulation (EU) 10/2011 incl. amendments.



All our products adhere to Regulation (EC) 1935/2004 and Regulation (EU) 10/2011 incl. amendments.