

SQ090-OD - 23092

Square lid for SQ090, transparent

Product specifications

Material:	PP	Weight:	4,84 gr
Volume (nominal):		Length:	94 mm
		Width:	94 mm
		Height:	9,4 mm
		Diameter:	mm

Afbeelding

* Volume under lid depends upon the lid used. Values shown are applicable when standard lid is used.

Packaging

Primary: # in primary packaging: 2496 pieces

Secondary: # primary in secondary packaging: 1 piece
Weight gross: 13,11 kg

Tertiary: Europallet, 150x1200x800
in tertiary packaging: 20 boxes = 49.920 pieces
Weight gross: 282,1288 kg
Standard height: 2.250 mm

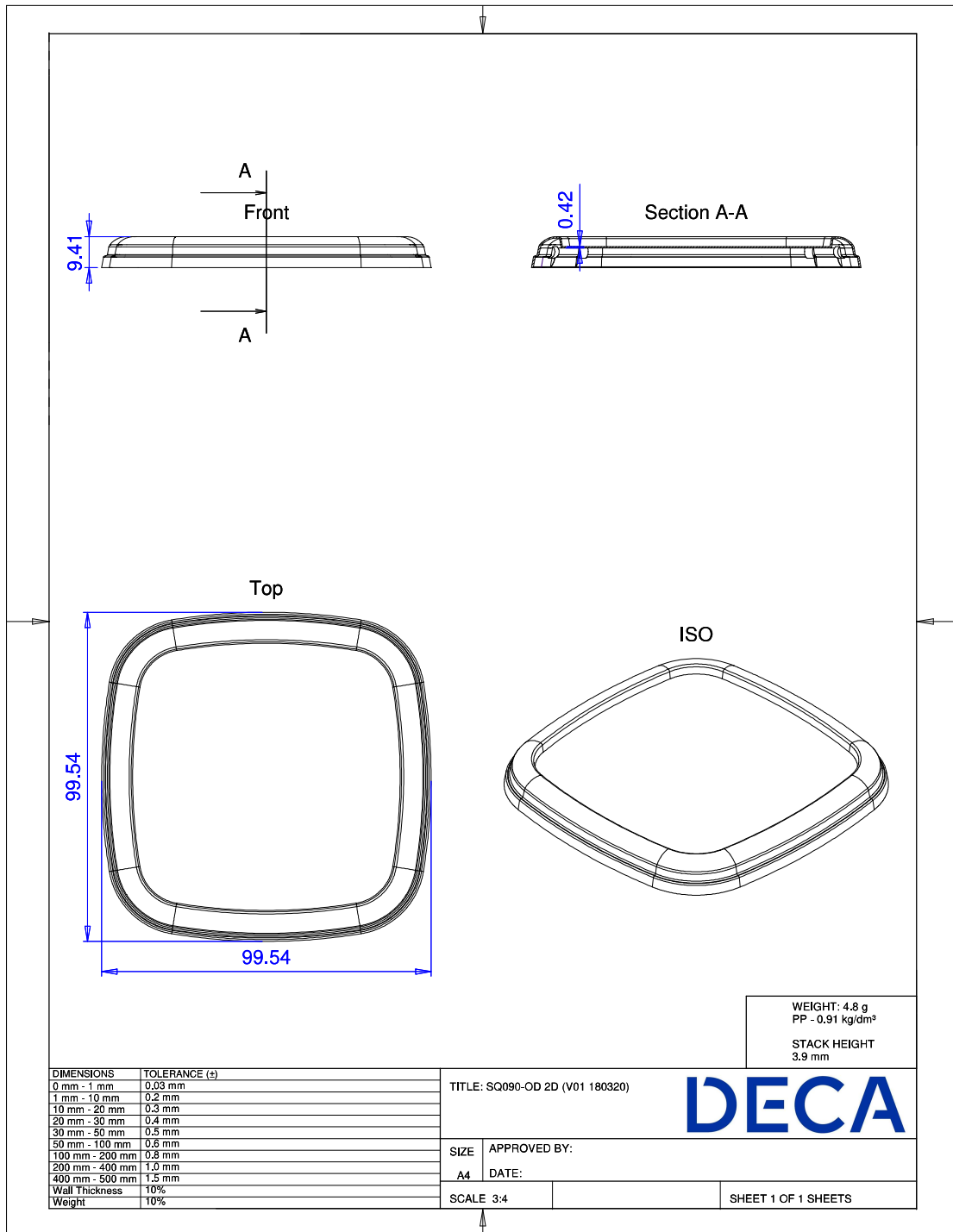
Uses / Certificates

Storage conditions: Keep out of direct sunlight, keep dry, store in original closed packaging, at ambient temperature, relative humidity between 40 and 70%.

Expiration: We recommend to use the products within 1 year after purchase. We can not be held responsible for use after this period.

Document retention: 3 years after purchase

All our products adhere to Regulation (EC) 1935/2004 and Regulation (EU) 10/2011 incl. amendments.



All our products adhere to Regulation (EC) 1935/2004 and Regulation (EU) 10/2011 incl. amendments.