

## SQ090-250 - 72477

Square, sealable container, transparent  
Polypropylene

### Product specifications

|                    |        |           |          |
|--------------------|--------|-----------|----------|
| Material:          | PP     | Weight:   | 10,15 gr |
| Volume (nominal):  | 250 ml | Length:   | 94 mm    |
| Volume to rim:     | 256 ml | Width:    | 94 mm    |
| Volume under lid*: | 253 ml | Height:   | 44 mm    |
|                    |        | Diameter: | mm       |



\* Volume under lid depends upon the lid used. Values shown are applicable when standard lid is used.

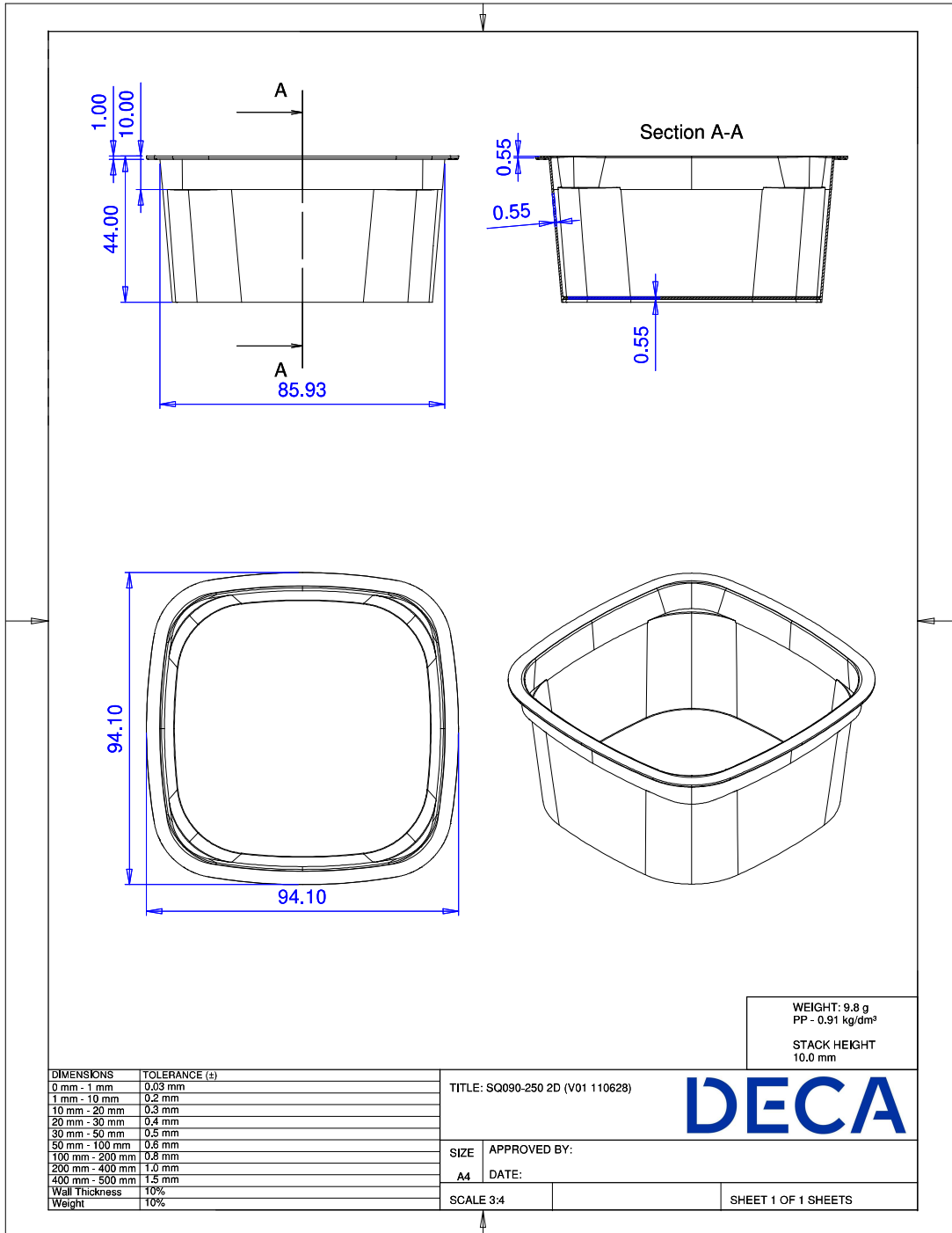
### Packaging

|            |  |
|------------|--|
| Primary:   | Blue bag for TP/TPS/Tray/Neutral box<br># in primary packaging: 864 pieces   |
| Secondary: | # primary in secondary packaging: 1 piece<br>Weight gross: 9,8 kg  |
| Tertiary:  | Europallet, 150x1200x800<br># in tertiary packaging: 20 boxes = 17.280 pieces<br>Weight gross: 215,908 kg<br>Standard height: 2.250 mm |

### Uses / Certificates

|                     |  |
|---------------------|--|
| Storage conditions: | Keep out of direct sunlight, keep dry, store in original closed packaging, at ambient temperature, relative humidity between 40 and 70%. |
| Expiration:         | We recommend to use the products within 1 year after purchase. We can not be held responsible for use after this period.                 |
| Document retention: | 3 years after purchase   |

All our products adhere to Regulation (EC) 1935/2004 and Regulation (EU) 10/2011 incl. amendments.



All our products adhere to Regulation (EC) 1935/2004 and Regulation (EU) 10/2011 incl. amendments.