

RO115-ODH - 110688

Round snap-on lid for RO115, transparent

Product specifications

Material:	PP	Weight:	9 gr	
Volume (nominal):		Length:		Afbeelding
		Width:		
		Height:	18 mm	
		Diameter:	115 mm	

* Volume under lid depends upon the lid used. Values shown are applicable when standard lid is used.

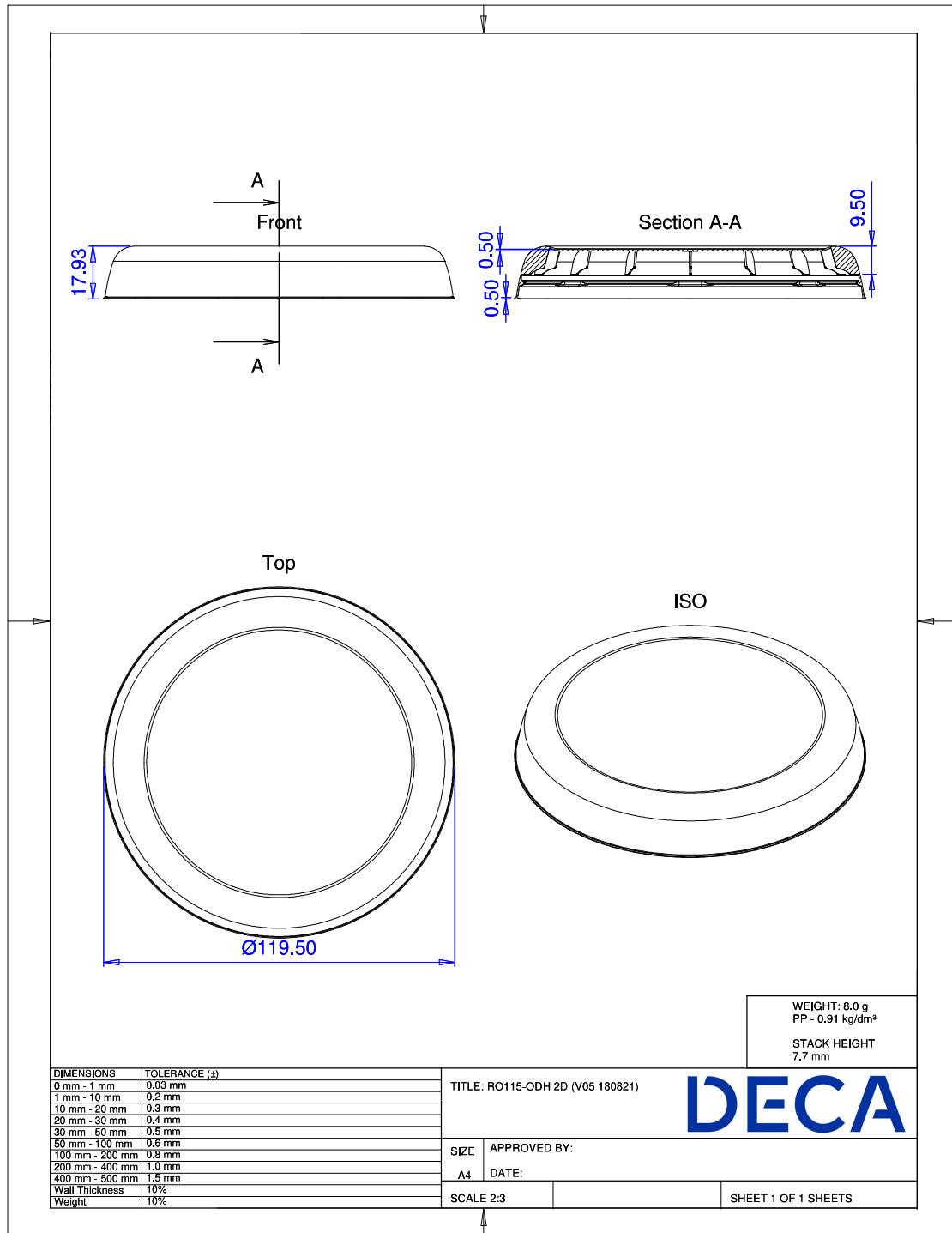
Packaging

Primary:	Blue bag for TP/TPS/Tray/Neutral box # in primary packaging: 700 pieces
Secondary:	# primary in secondary packaging: 1 piece Weight gross: 7,33 kg
Tertiary:	Europallet, 150x1200x800 # in tertiary packaging: 16 boxes = 11.200 pieces Weight gross: 137,2128 kg Standard height: 1.830 mm

Uses / Certificates

Storage conditions:	Keep out of direct sunlight, keep dry, store in original closed packaging, at ambient temperature, relative humidity between 40 and 70%.
Expiration:	We recommend to use the products within 1 year after purchase. We can not be held responsible for use after this period.
Document retention:	3 years after purchase

All our products adhere to Regulation (EC) 1935/2004 and Regulation (EU) 10/2011 incl. amendments.



All our products adhere to Regulation (EC) 1935/2004 and Regulation (EU) 10/2011 incl. amendments.