

RO095-ODH - 110736

Round snap-on lid for RO095, transparent

Product specifications

Material:	PP	Weight:	4,5 gr	
Volume (nominal):		Length:		Afbeelding
		Width:		
		Height:		
		Diameter:		

* Volume under lid depends upon the lid used. Values shown are applicable when standard lid is used.

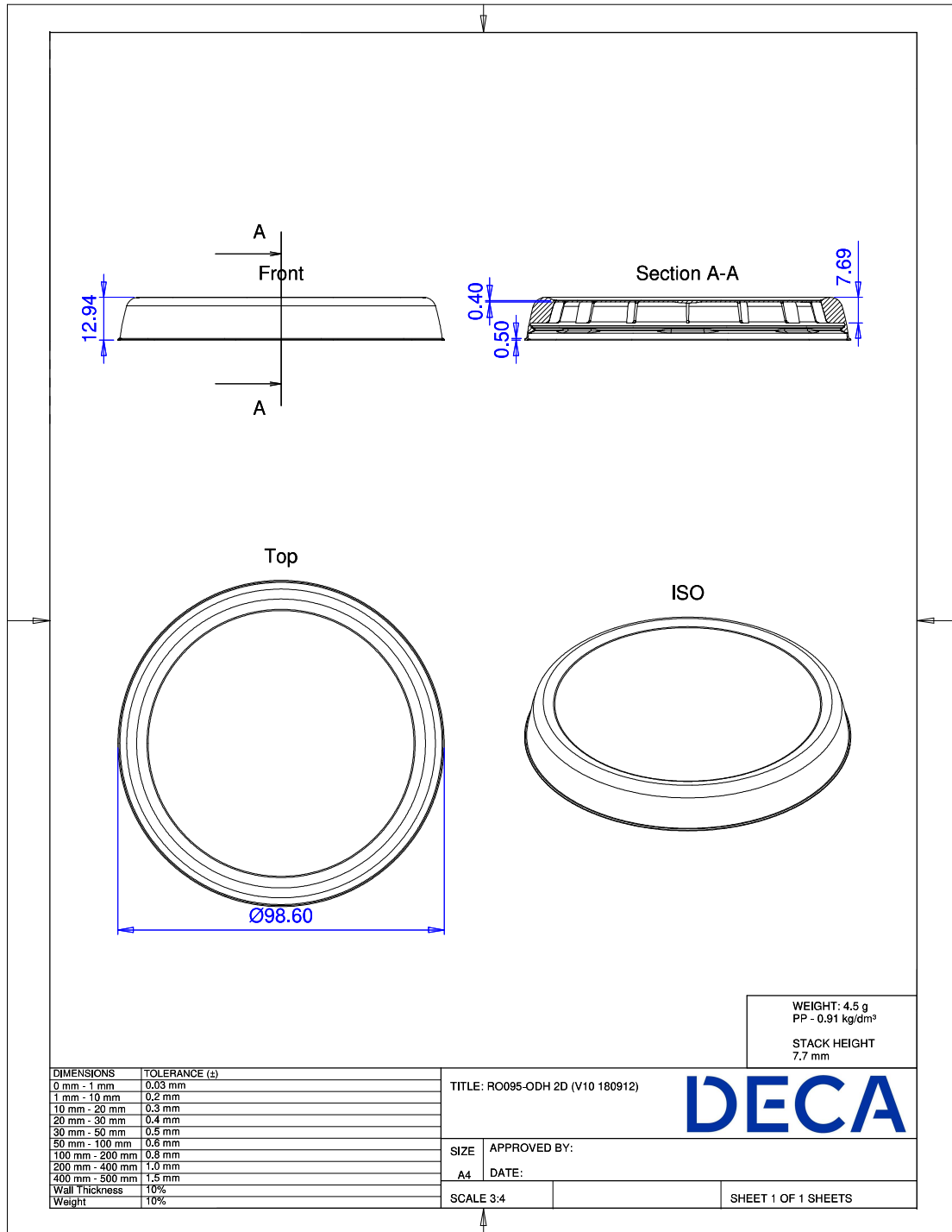
Packaging

Primary:	# in primary packaging: 1100 pieces
Secondary:	# primary in secondary packaging: 1 piece Weight gross: 5,98 kg
Tertiary:	Europallet, 150x1200x800 # in tertiary packaging: 16 boxes = 17.600 pieces Weight gross: 115,6128 kg Standard height: 1.830 mm

Uses / Certificates

Storage conditions:	Keep out of direct sunlight, keep dry, store in original closed packaging, at ambient temperature, relative humidity between 40 and 70%.
Expiration:	We recommend to use the products within 1 year after purchase. We can not be held responsible for use after this period.
Document retention:	3 years after purchase

All our products adhere to Regulation (EC) 1935/2004 and Regulation (EU) 10/2011 incl. amendments.



All our products adhere to Regulation (EC) 1935/2004 and Regulation (EU) 10/2011 incl. amendments.