

RO095-OD-AP - 23040

Round lid for pasteurisation, bevelled, transparent

Product specifications

Material:	PP	Weight:	4,5 gr
Volume (nominal):	dependent on pot ml	Length:	
		Width:	
		Height:	814 mm
		Diameter:	98,71 mm

Afbeelding

* Volume under lid depends upon the lid used. Values shown are applicable when standard lid is used.

Packaging

Primary: # in primary packaging: 2730 pieces

Secondary: # primary in secondary packaging: 1 piece
Weight gross: 13,31 kg

Tertiary: Europallet, 150x1200x800
in tertiary packaging: 20 boxes = 54.600 pieces
Weight gross: 286,216 kg
Standard height: 2.250 mm

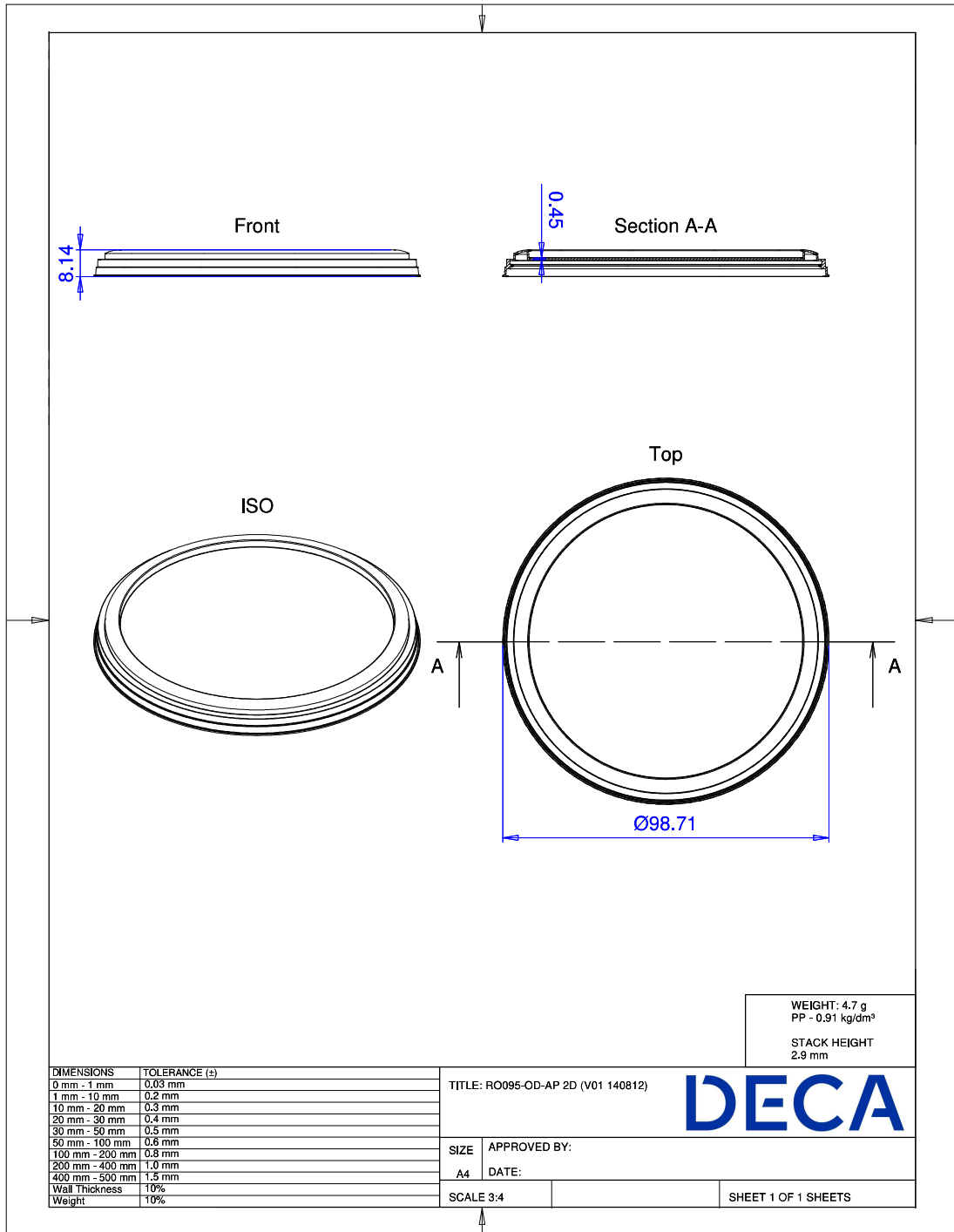
Uses / Certificates

Storage conditions: Keep out of direct sunlight, keep dry, store in original closed packaging, at ambient temperature, relative humidity between 40 and 70%.

Expiration: We recommend to use the products within 1 year after purchase. We can not be held responsible for use after this period.

Document retention: 3 years after purchase

All our products adhere to Regulation (EC) 1935/2004 and Regulation (EU) 10/2011 incl. amendments.



All our products adhere to Regulation (EC) 1935/2004 and Regulation (EU) 10/2011 incl. amendments.