

RO095-305 - 27378

Round, sealable container, transparent

Product specifications

Material:	PP	Weight:	9,34 gr
Volume (nominal):	305 ml	Length:	
Volume to rim:	313 ml	Width:	
Volume under lid*:	313 ml	Height:	65 mm
		Diameter:	95 mm

Afbeelding

* Volume under lid depends upon the lid used. Values shown are applicable when standard lid is used.

Packaging

Primary: # in primary packaging: 2016 pieces

Secondary: # primary in secondary packaging: 1 piece
Weight gross: 19,86 kg

Tertiary: Europallet, 150x1200x800
in tertiary packaging: 16 boxes = 32.256 pieces
Weight gross: 337,68384 kg
Standard height: 1.830 mm

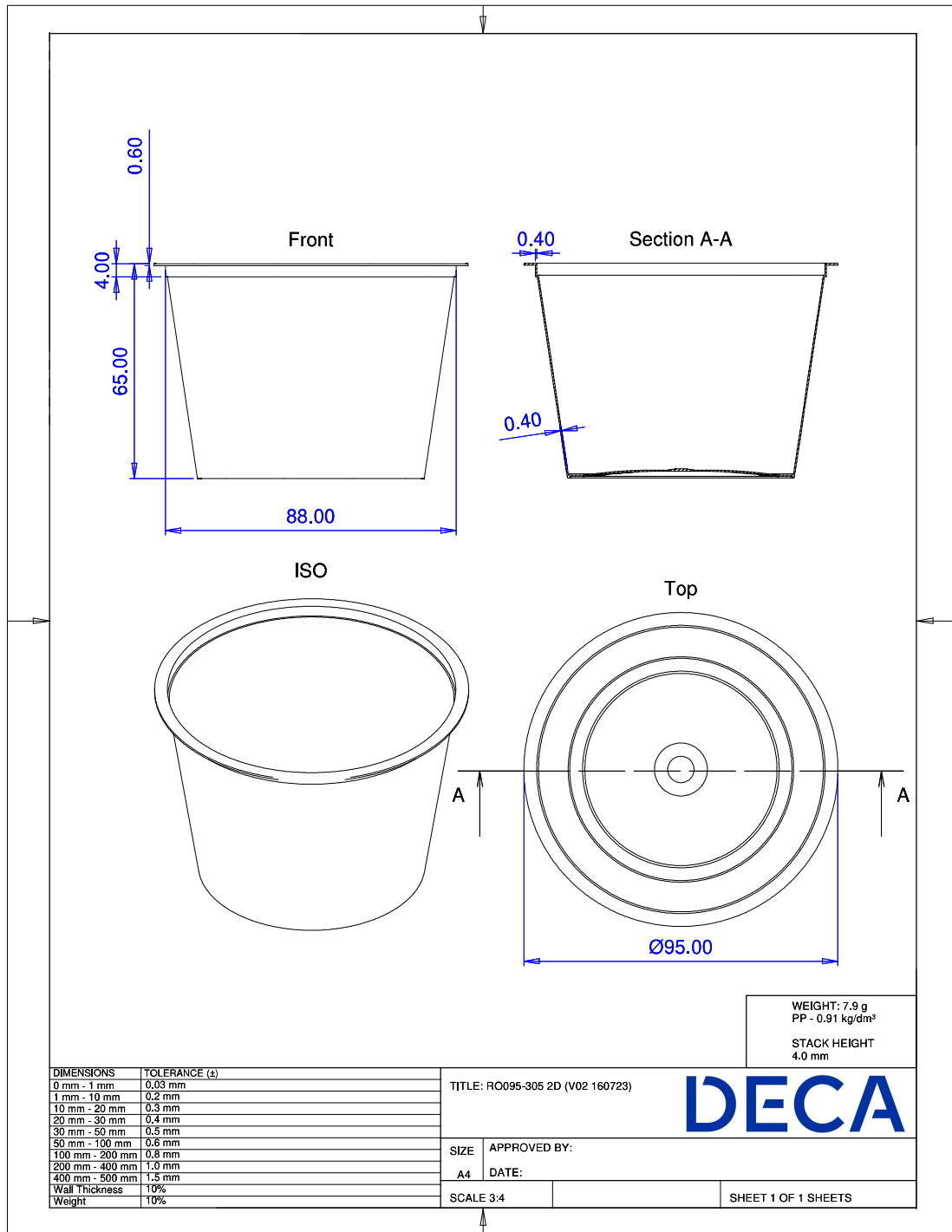
Uses / Certificates

Storage conditions: Keep out of direct sunlight, keep dry, store in original closed packaging, at ambient temperature, relative humidity between 40 and 70%.

Expiration: We recommend to use the products within 1 year after purchase. We can not be held responsible for use after this period.

Document retention: 3 years after purchase

All our products adhere to Regulation (EC) 1935/2004 and Regulation (EU) 10/2011 incl. amendments.



All our products adhere to Regulation (EC) 1935/2004 and Regulation (EU) 10/2011 incl. amendments.