

# RO095-150 - 23447

Round container, transparent

## Product specifications

Material:	PP	Weight:	5,6 gr
Volume (nominal):	150 ml	Length:	
Volume to rim:	154 ml	Width:	
Volume under lid*:	154 ml	Height:	38 mm
		Diameter:	95 mm

Afbeelding

\* Volume under lid depends upon the lid used. Values shown are applicable when standard lid is used.

## Packaging

Primary: # in primary packaging: 1728 pieces

Secondary: # primary in secondary packaging: 1 piece  
Weight gross: 10,7 kg

Tertiary: Europallet, 150x1200x800  
# in tertiary packaging: 20 boxes = 34.560 pieces  
Weight gross: 234,052 kg  
Standard height: 2.250 mm

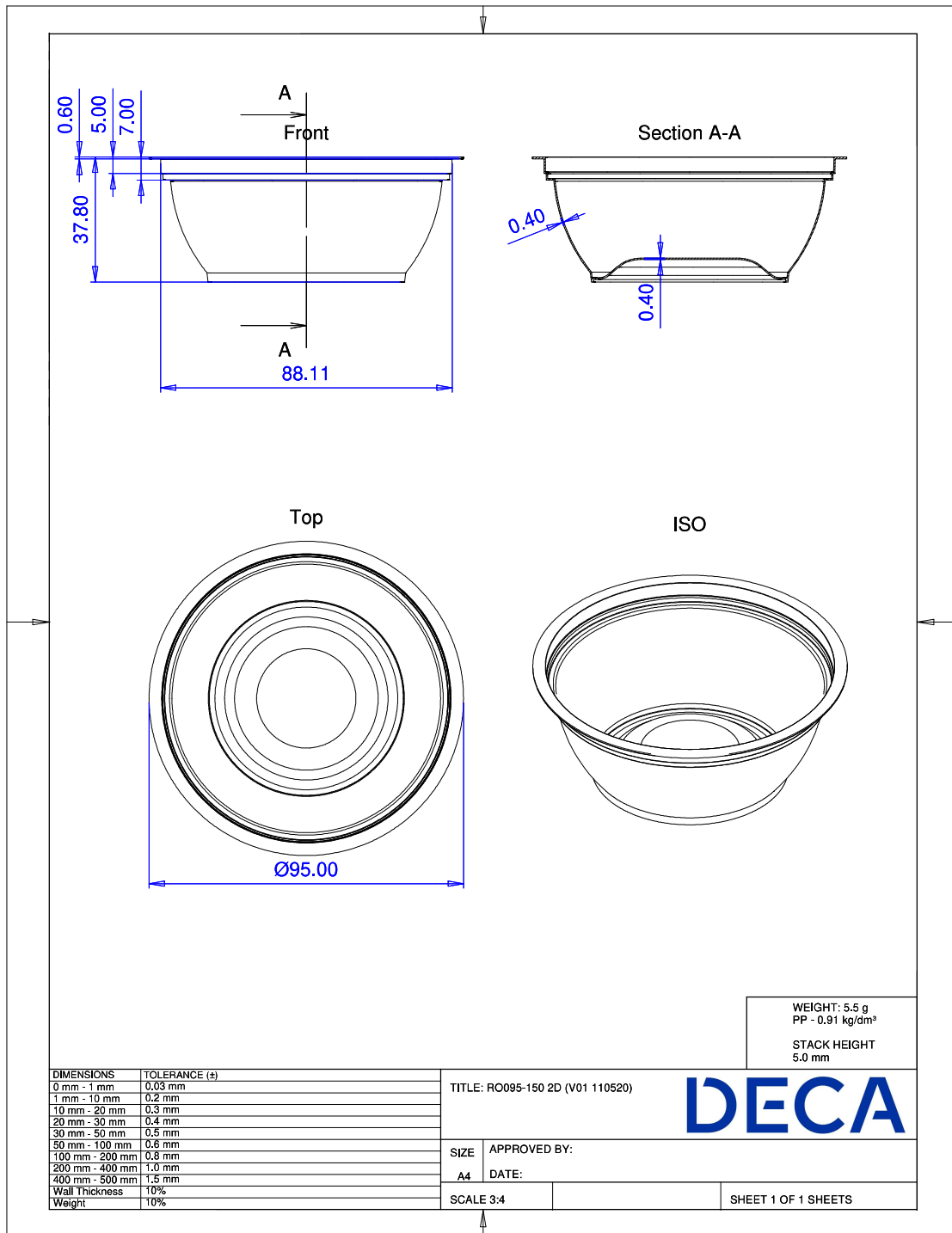
## Uses / Certificates

Storage conditions: Keep out of direct sunlight, keep dry, store in original closed packaging, at ambient temperature, relative humidity between 40 and 70%.

Expiration: We recommend to use the products within 1 year after purchase. We can not be held responsible for use after this period.

Document retention: 3 years after purchase

All our products adhere to Regulation (EC) 1935/2004 and Regulation (EU) 10/2011 incl. amendments.



All our products adhere to Regulation (EC) 1935/2004 and Regulation (EU) 10/2011 incl. amendments.