

3226-88 - 21352

Rectangular, sealable tray, 1/2 GN88, white

Product specifications

Material:	PP	Weight:	109,4 gr
Volume (nominal):	5200 ml	Length:	325 mm
		Width:	265 mm
		Height:	88 mm
		Diameter:	mm

Afbeelding

* Volume under lid depends upon the lid used. Values shown are applicable when standard lid is used.

Packaging

Primary: # in primary packaging: 126 pieces

Secondary: # primary in secondary packaging: 1 piece
Weight gross: 13784,4 gr

Tertiary: # in tertiary packaging: 18 boxes = 2.268 pieces
Weight gross: 248.119,2 gr
Standard height: mm

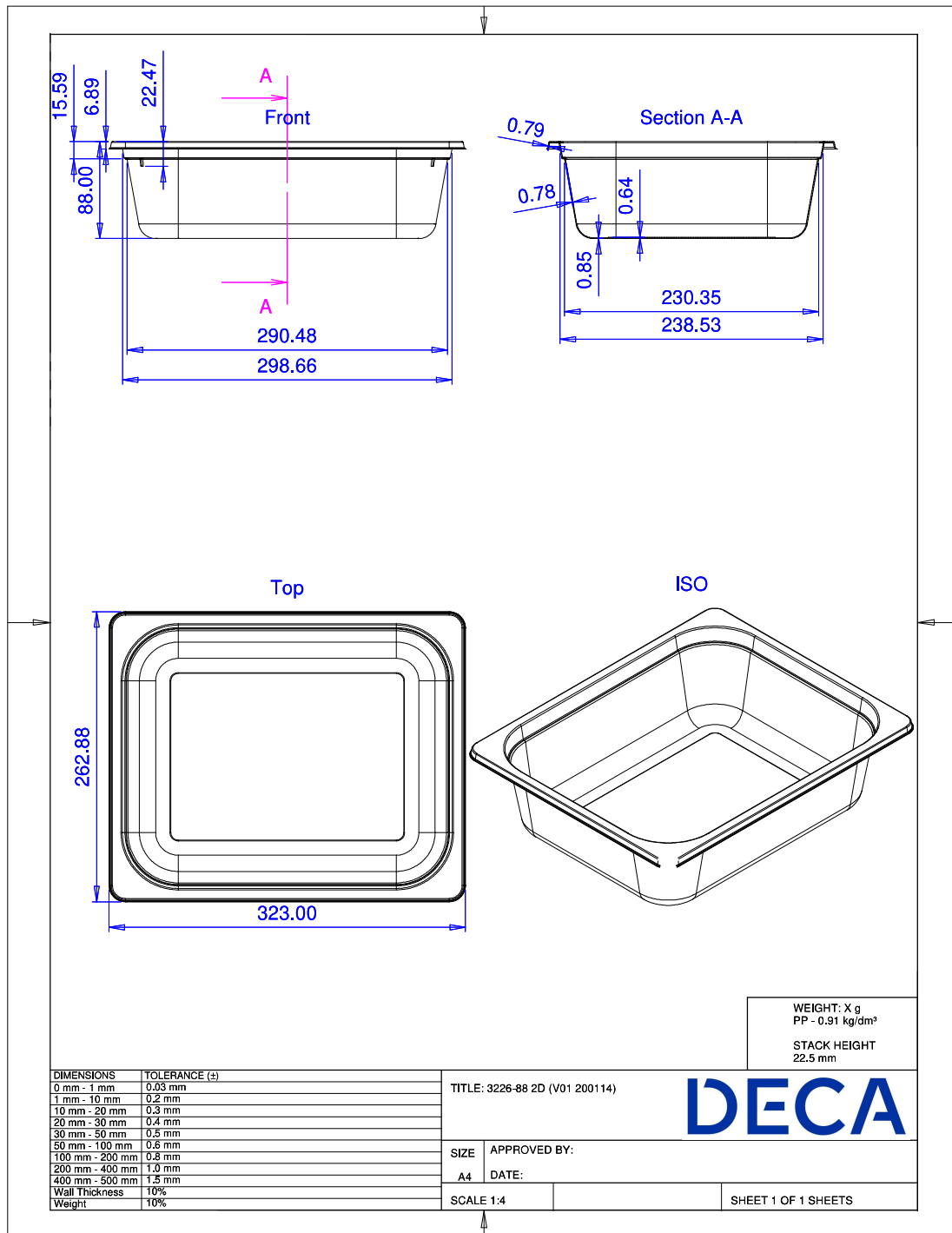
Uses / Certificates

Storage conditions: Keep out of direct sunlight, keep dry, store in original closed packaging, at ambient temperature, relative humidity between 40 and 70%.

Expiration: We recommend to use the products within 1 year after purchase. We can not be held responsible for use after this period.

Document retention: 3 years after purchase

All our products adhere to Regulation (EC) 1935/2004 and Regulation (EU) 10/2011 incl. amendments.



All our products adhere to Regulation (EC) 1935/2004 and Regulation (EU) 10/2011 incl. amendments.