

# 2616-64 - 24327

Rectangular, sealable tray, black

## Product specifications

Material:	PP	Weight:	50,14 gr
Volume (nominal):	1900 ml	Length:	264 mm
Volume to rim:	1.941 ml	Width:	165 mm
Volume under lid*:	1.941 ml	Height:	64 mm
		Diameter:	mm

Afbeelding

\* Volume under lid depends upon the lid used. Values shown are applicable when standard lid is used.

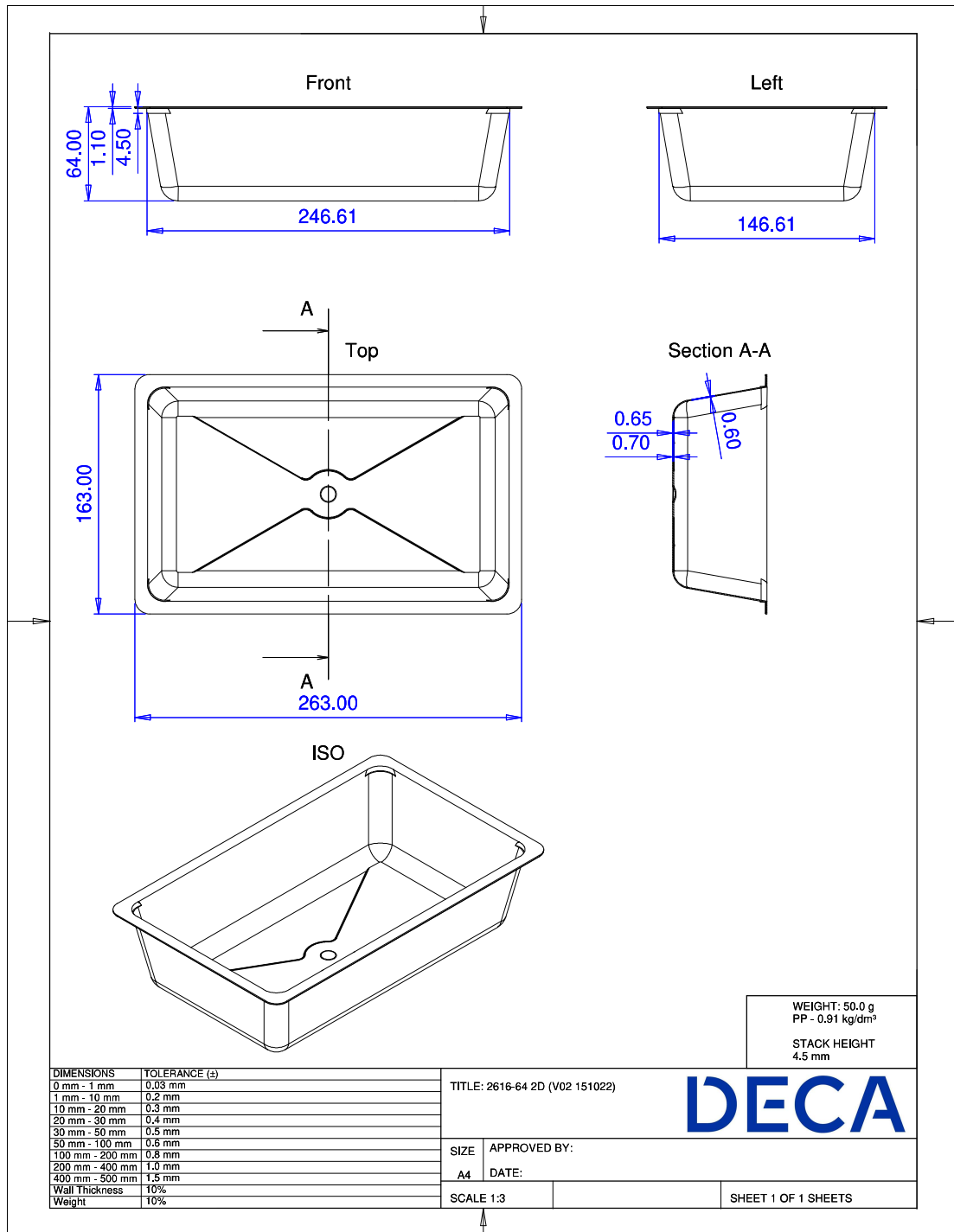
## Packaging

Primary:	Blue bag for TP/TPS/Tray/Neutral box # in primary packaging: 252 pieces
Secondary:	# primary in secondary packaging: 1 piece Weight gross: 13,66 kg
Tertiary:	Europallet, 150x1200x800 # in tertiary packaging: 16 boxes = 4.032 pieces Weight gross: 238,57728 kg Standard height: 1.830 mm

## Uses / Certificates

Storage conditions:	Keep out of direct sunlight, keep dry, store in original closed packaging, at ambient temperature, relative humidity between 40 and 70%.
Expiration:	We recommend to use the products within 1 year after purchase. We can not be held responsible for use after this period.
Document retention:	3 years after purchase

All our products adhere to Regulation (EC) 1935/2004 and Regulation (EU) 10/2011 incl. amendments.



All our products adhere to Regulation (EC) 1935/2004 and Regulation (EU) 10/2011 incl. amendments.