

2318-ODT - 111154

Rectangular, sealable tray, thermoformed, transparent

Product specifications

Material:	PET	Weight:	1.064 gr
Volume (nominal):	n/a ml	Length:	2.305 mm
		Width:	1.805 mm
		Height:	1.972 mm
		Diameter:	mm

Afbeelding

* Volume under lid depends upon the lid used. Values shown are applicable when standard lid is used.

Packaging

Primary: # in primary packaging: 300 pieces

Secondary: # primary in secondary packaging: 1 piece
Weight gross: 8,09 kg

Tertiary: Europallet, 150x1200x800
in tertiary packaging: 16 boxes = 4.800 pieces
Weight gross: 149,376 kg
Standard height: ? mm

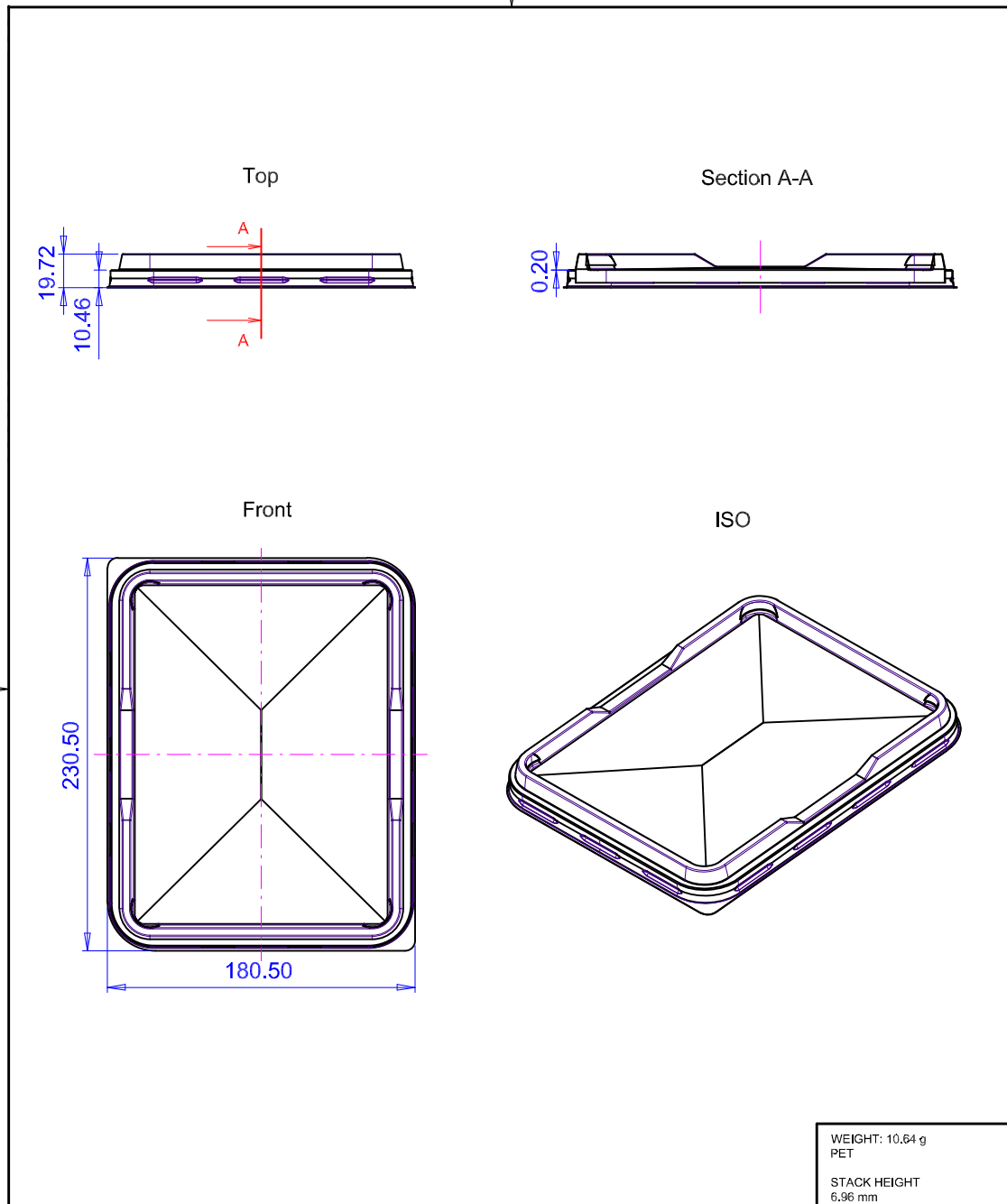
Uses / Certificates

Storage conditions: Keep out of direct sunlight, keep dry, store in original closed packaging, at ambient temperature, relative humidity between 40 and 70%.

Expiration: We recommend to use the products within 1 year after purchase. We can not be held responsible for use after this period.

Document retention: 3 years after purchase

All our products adhere to Regulation (EC) 1935/2004 and Regulation (EU) 10/2011 incl. amendments.



DIMENSIONS	TOLERANCE (±)
0 mm - 1 mm	0,03 mm
1 mm - 10 mm	0,2 mm
10 mm - 20 mm	0,3 mm
20 mm - 30 mm	0,4 mm
30 mm - 50 mm	0,5 mm
50 mm - 100 mm	0,8 mm
100 mm - 200 mm	0,8 mm
200 mm - 400 mm	1,0 mm
400 mm - 500 mm	1,5 mm
Wall Thickness	10%
Weight	10%

TITLE: 2318-ODT 2D (V02 210205)	
SIZE	APPROVED BY:
A4	DATE:
SCALE 1:3	SHEET 1 OF 1 SHEETS

All our products adhere to Regulation (EC) 1935/2004 and Regulation (EU) 10/2011 incl. amendments.