

## 2318-33-2C - 27414

Rectangular, sealable tray, 2 compartments, transparent

### Product specifications

Material:	PP	Weight:	31,8 gr
Volume (nominal):	425/520 ml	Length:	227 mm
Volume to rim:	933 ml	Width:	177 mm
Volume under lid*:	933 ml	Height:	33 mm
		Diameter:	mm

Afbeelding

\* Volume under lid depends upon the lid used. Values shown are applicable when standard lid is used.

### Packaging

Primary: # in primary packaging: 330 pieces

Secondary: # primary in secondary packaging: 1 piece  
Weight gross: 11,16 kg

Tertiary: Europallet, 150x1200x800  
# in tertiary packaging: 18 boxes = 5.940 pieces  
Weight gross: 220,89548 kg  
Standard height: 846 mm

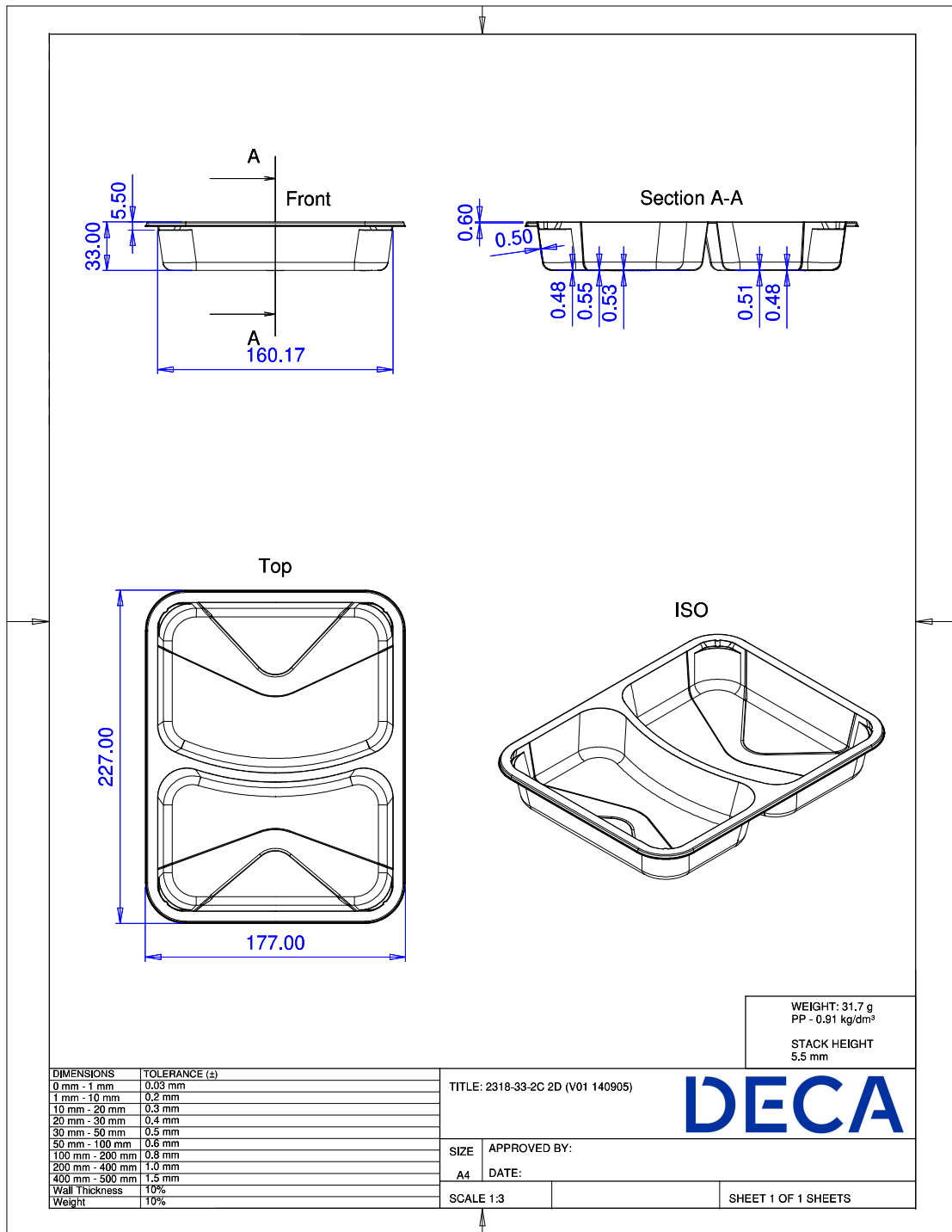
### Uses / Certificates

Storage conditions: Keep out of direct sunlight, keep dry, store in original closed packaging, at ambient temperature, relative humidity between 40 and 70%.

Expiration: We recommend to use the products within 1 year after purchase. We can not be held responsible for use after this period.

Document retention: 3 years after purchase

All our products adhere to Regulation (EC) 1935/2004 and Regulation (EU) 10/2011 incl. amendments.



All our products adhere to Regulation (EC) 1935/2004 and Regulation (EU) 10/2011 incl. amendments.