

2014-35 - 26198

Rectangular, sealable tray, black

Product specifications

| | | | |
|--------------------|--------|-----------|--------|
| Material: | PP | Weight: | 30 gr |
| Volume (nominal): | 750 ml | Length: | 208 mm |
| Volume to rim: | 782 ml | Width: | 146 mm |
| Volume under lid*: | 782 ml | Height: | 35 mm |
| | | Diameter: | mm |

Afbeelding

* Volume under lid depends upon the lid used. Values shown are applicable when standard lid is used.

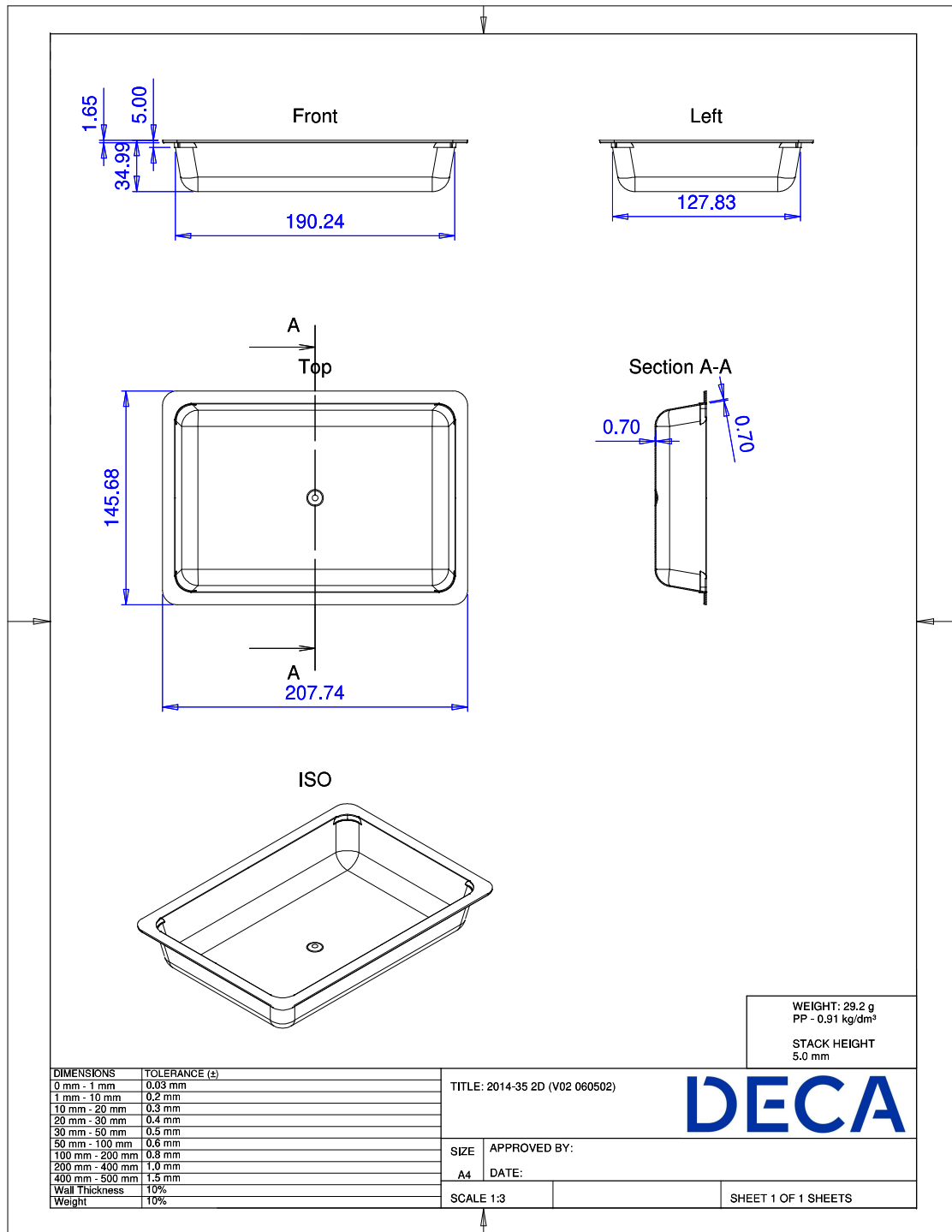
Packaging

| | |
|------------|--|
| Primary: | Blue bag for TP/TPS/Tray/Neutral box # in primary packaging: 420 pieces |
| Secondary: | # primary in secondary packaging: 1 piece Weight gross: 13,63 kg |
| Tertiary: | Europallet, 150x1200x800 # in tertiary packaging: 16 boxes = 6.720 pieces Weight gross: 238,0128 kg Standard height: 1.830 mm |

Uses / Certificates

| | |
|---------------------|--|
| Storage conditions: | Keep out of direct sunlight, keep dry, store in original closed packaging, at ambient temperature, relative humidity between 40 and 70%. |
| Expiration: | We recommend to use the products within 1 year after purchase. We can not be held responsible for use after this period. |
| Document retention: | 3 years after purchase |

All our products adhere to Regulation (EC) 1935/2004 and Regulation (EU) 10/2011 incl. amendments.



All our products adhere to Regulation (EC) 1935/2004 and Regulation (EU) 10/2011 incl. amendments.