

2014-25 - 110000

Rectangular, sealable tray, transparent

Product specifications

Material:	PP	Weight:	23,8 gr
Volume (nominal):	525 ml	Length:	208 mm
Volume to rim:	560 ml	Width:	146 mm
Volume under lid*:	560 ml	Height:	25 mm
		Diameter:	mm



* Volume under lid depends upon the lid used. Values shown are applicable when standard lid is used.

Packaging

Primary: # in primary packaging: 324 pieces

Secondary: # primary in secondary packaging: 1 piece
Weight gross: 8,74 kg

Tertiary: # in tertiary packaging: 20 boxes = 6.480 pieces
Weight gross: 194,74 kg
Standard height: 0 mm

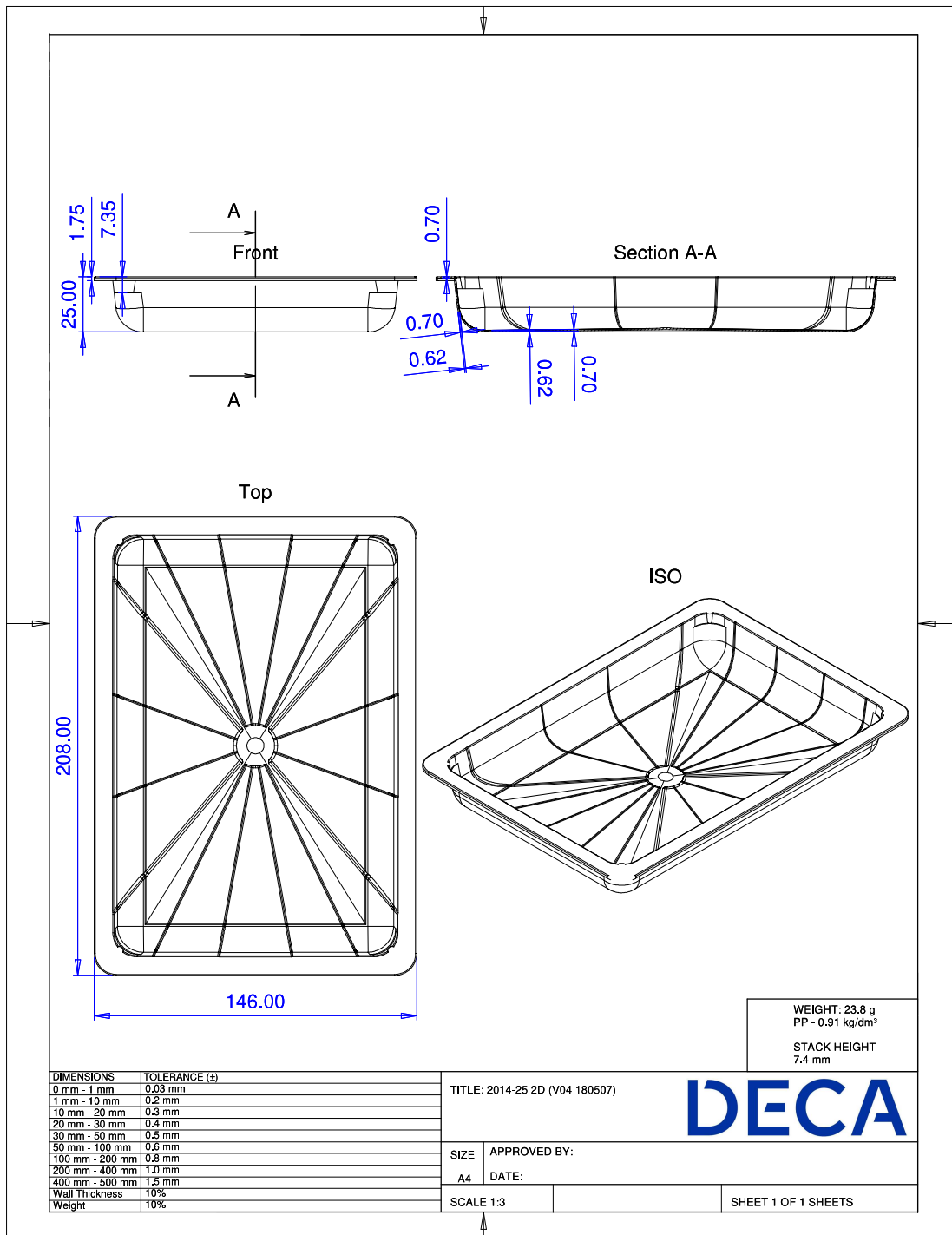
Uses / Certificates

Storage conditions: Keep out of direct sunlight, keep dry, store in original closed packaging, at ambient temperature, relative humidity between 40 and 70%.

Expiration: We recommend to use the products within 1 year after purchase. We can not be held responsible for use after this period.

Document retention: 3 years after purchase

All our products adhere to Regulation (EC) 1935/2004 and Regulation (EU) 10/2011 incl. amendments.



All our products adhere to Regulation (EC) 1935/2004 and Regulation (EU) 10/2011 incl. amendments.