

1913-OD - 109846

Lid for 1913-100-S, black

Product specifications

Material:	PP	Weight:	16 gr	Afbeelding
Volume (nominal):		Length:	191 mm	
		Width:	137 mm	
		Height:		
		Diameter:		

* Volume under lid depends upon the lid used. Values shown are applicable when standard lid is used.

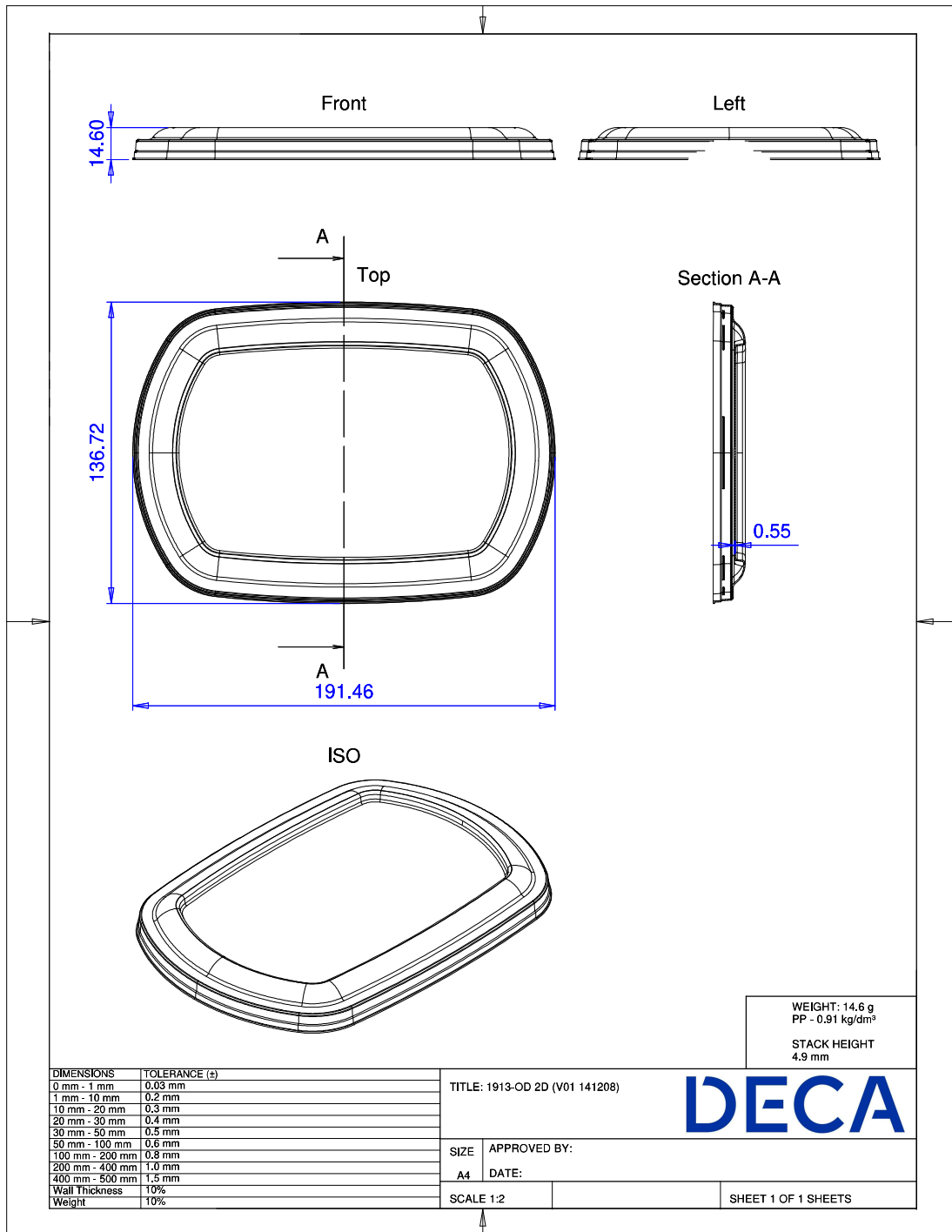
Packaging

Primary:	Blue bag for TP/TPS/Tray/Neutral box # in primary packaging: 204 pieces
Secondary:	# primary in secondary packaging: 1 piece Weight gross: 7,56 kg
Tertiary:	# in tertiary packaging: 32 boxes = 6.528 pieces Weight gross: 261,7856 kg Standard height: 36.950 mm

Uses / Certificates

Storage conditions:	Keep out of direct sunlight, keep dry, store in original closed packaging, at ambient temperature, relative humidity between 40 and 70%.
Expiration:	We recommend to use the products within 1 year after purchase. We can not be held responsible for use after this period.
Document retention:	3 years after purchase

All our products adhere to Regulation (EC) 1935/2004 and Regulation (EU) 10/2011 incl. amendments.



All our products adhere to Regulation (EC) 1935/2004 and Regulation (EU) 10/2011 incl. amendments.