

# 1913-100-S - 109845

Container, black

## Product specifications

Material:	PP	Weight:	43,42 gr
Volume (nominal):	1475 ml	Length:	186 mm
Volume to rim:	1.480 ml	Width:	131 mm
Volume under lid*:	1.480 ml	Height:	100 mm
		Diameter:	mm

Afbeelding

\* Volume under lid depends upon the lid used. Values shown are applicable when standard lid is used.

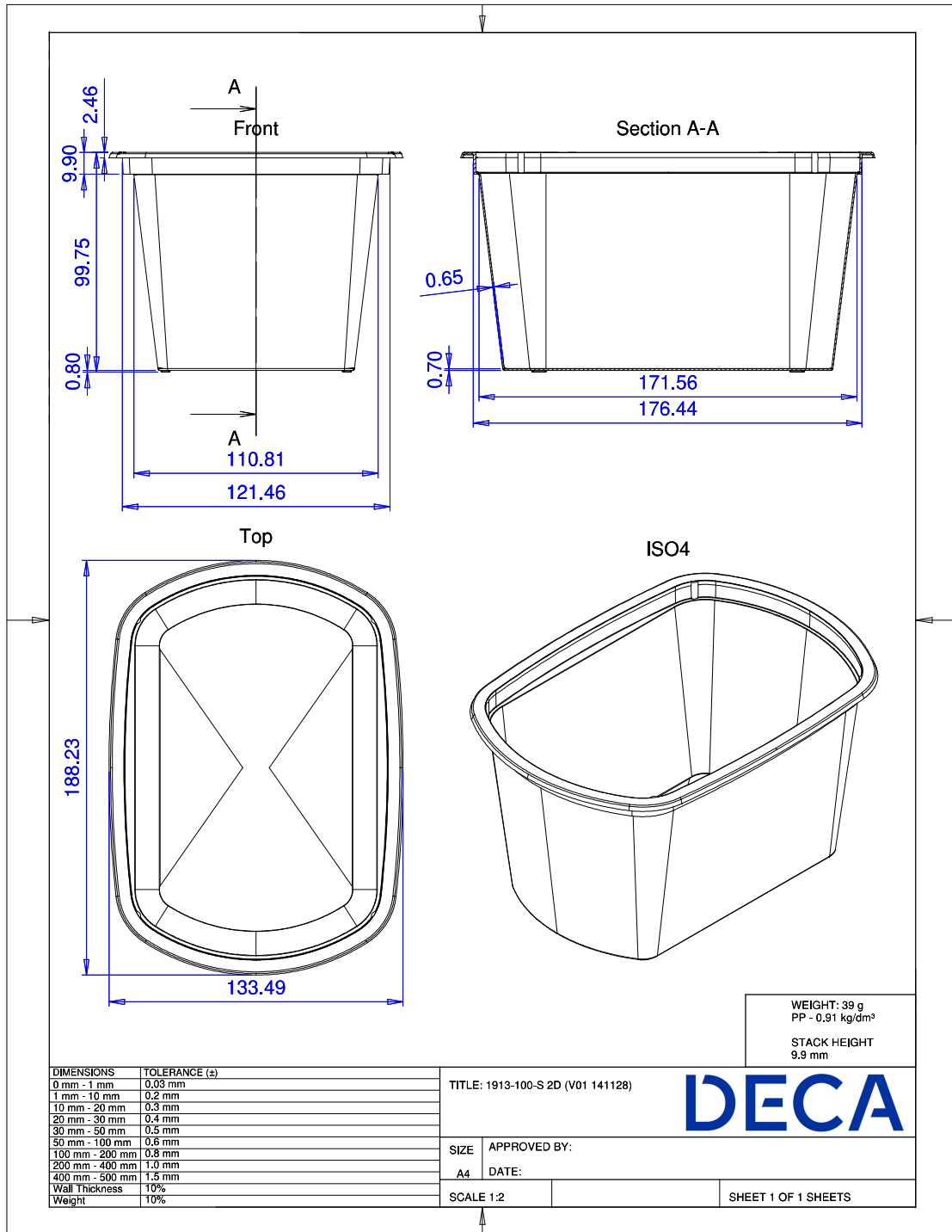
## Packaging

Primary:	# in primary packaging: 94 pieces
Secondary:	# primary in secondary packaging: 1 piece Weight gross: 8,37 kg
Tertiary:	# in tertiary packaging: 36 boxes = 3.384 pieces Weight gross: 321,34592 kg Standard height: 41.550 mm

## Uses / Certificates

Storage conditions:	Keep out of direct sunlight, keep dry, store in original closed packaging, at ambient temperature, relative humidity between 40 and 70%.
Expiration:	We recommend to use the products within 1 year after purchase. We can not be held responsible for use after this period.
Document retention:	3 years after purchase

All our products adhere to Regulation (EC) 1935/2004 and Regulation (EU) 10/2011 incl. amendments.



All our products adhere to Regulation (EC) 1935/2004 and Regulation (EU) 10/2011 incl. amendments.