

# 1910-OD - 23816

Rectangular lid for tray 1910, transparent

## Product specifications

Material:	PP	Weight:	16,28 gr
Volume (nominal):		Length:	205,5 mm
		Width:	112,5 mm
		Height:	
		Diameter:	

Afbeelding

\* Volume under lid depends upon the lid used. Values shown are applicable when standard lid is used.

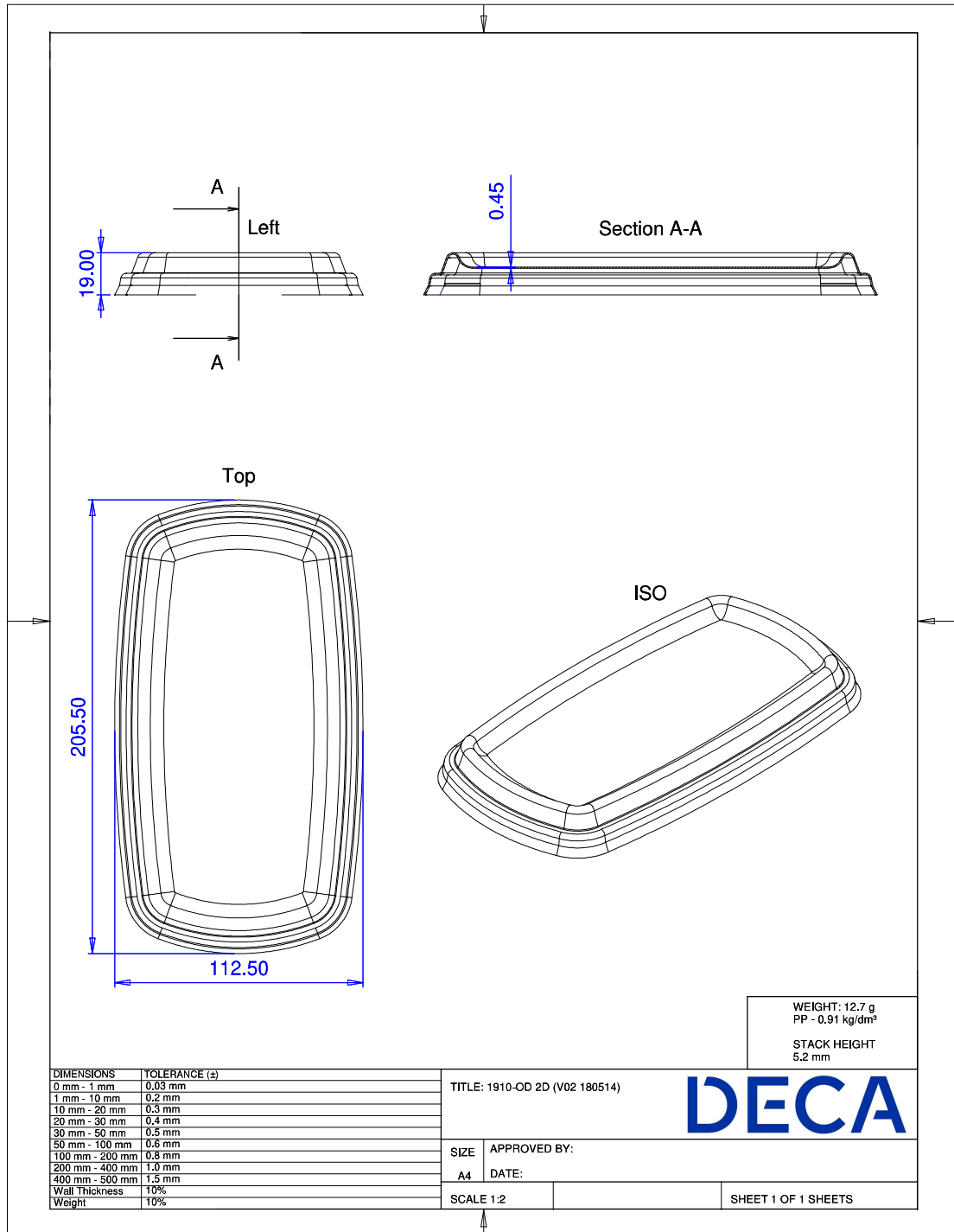
## Packaging

Primary:	# in primary packaging: 6300 pieces
Secondary:	# primary in secondary packaging: 1 piece Weight gross: 106,96 kg
Tertiary:	# in tertiary packaging: 1 boxes = 6.300 pieces Weight gross: 126,9634 kg Standard height: 1.300 mm

## Uses / Certificates

Storage conditions:	Keep out of direct sunlight, keep dry, store in original closed packaging, at ambient temperature, relative humidity between 40 and 70%.
Expiration:	We recommend to use the products within 1 year after purchase. We can not be held responsible for use after this period.
Document retention:	3 years after purchase

All our products adhere to Regulation (EC) 1935/2004 and Regulation (EU) 10/2011 incl. amendments.



All our products adhere to Regulation (EC) 1935/2004 and Regulation (EU) 10/2011 incl. amendments.