

1612-ODT - 67957

Rectangular snap-on lid, thermoformed, transparent

Product specifications

Material:	PET	Weight:	9 gr	Afbeelding
Volume (nominal):		Length:	168 mm	
		Width:	127 mm	
		Height:	12 mm	
		Diameter:	mm	

* Volume under lid depends upon the lid used. Values shown are applicable when standard lid is used.

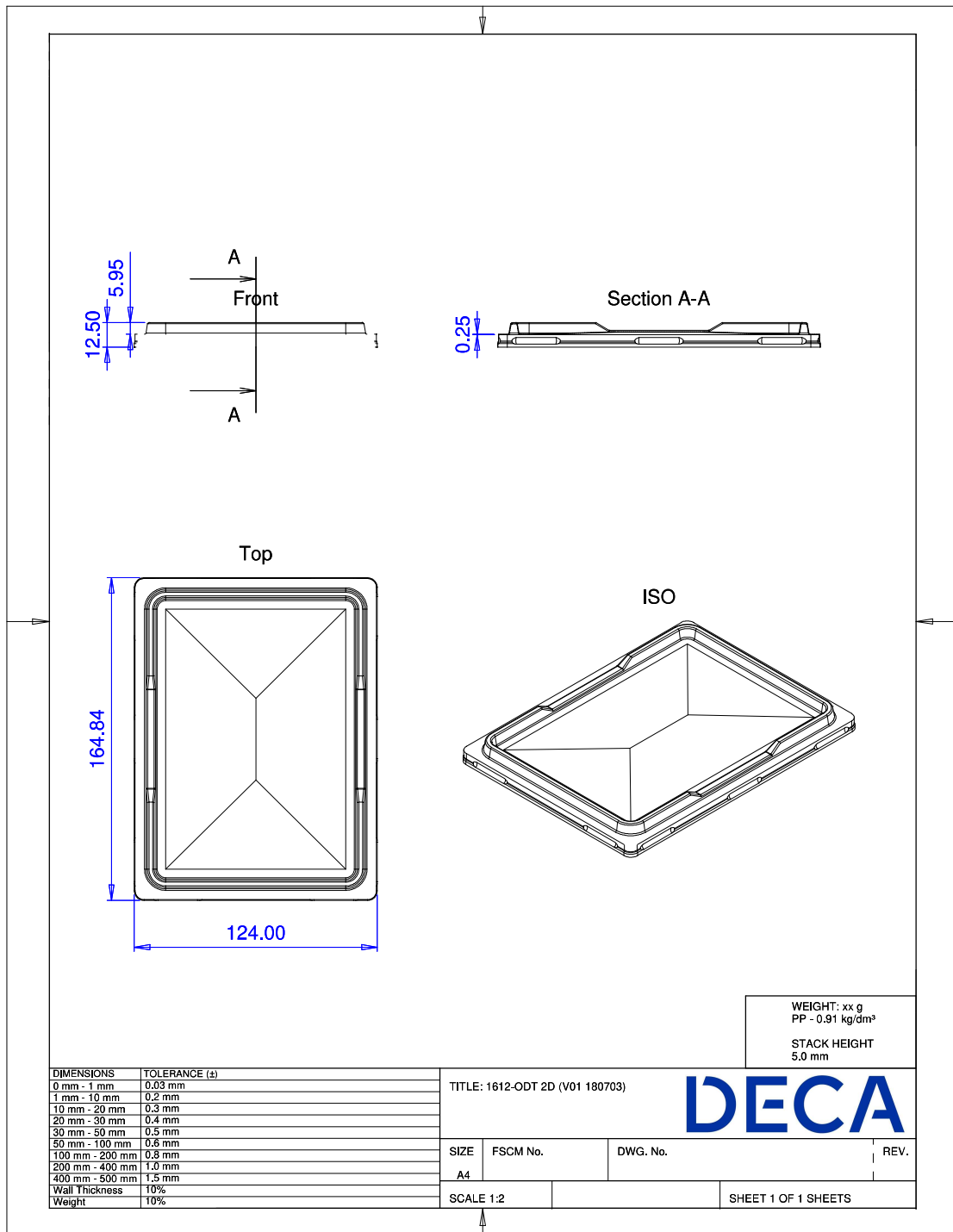
Packaging

Primary:	# in primary packaging: 672 pieces
Secondary:	# primary in secondary packaging: 1 piece Weight gross: 7,1 kg
Tertiary:	Europallet, 150x1200x800 # in tertiary packaging: 20 boxes = 13.440 pieces Weight gross: 161,96 kg Standard height: 2.250 mm

Uses / Certificates

Storage conditions:	Keep out of direct sunlight, keep dry, store in original closed packaging, at ambient temperature, relative humidity between 40 and 70%.
Expiration:	We recommend to use the products within 1 year after purchase. We can not be held responsible for use after this period.
Document retention:	3 years after purchase

All our products adhere to Regulation (EC) 1935/2004 and Regulation (EU) 10/2011 incl. amendments.



All our products adhere to Regulation (EC) 1935/2004 and Regulation (EU) 10/2011 incl. amendments.