

1612-52 - 71949

Rectangular, sealable tray, transparent

Product specifications

Material:	PP	Weight:	20,5 gr
Volume (nominal):	720 ml	Length:	164 mm
Volume to rim:	726,5 ml	Width:	123 mm
Volume under lid*:	726,5 ml	Height:	52 mm
		Diameter:	mm



* Volume under lid depends upon the lid used. Values shown are applicable when standard lid is used.

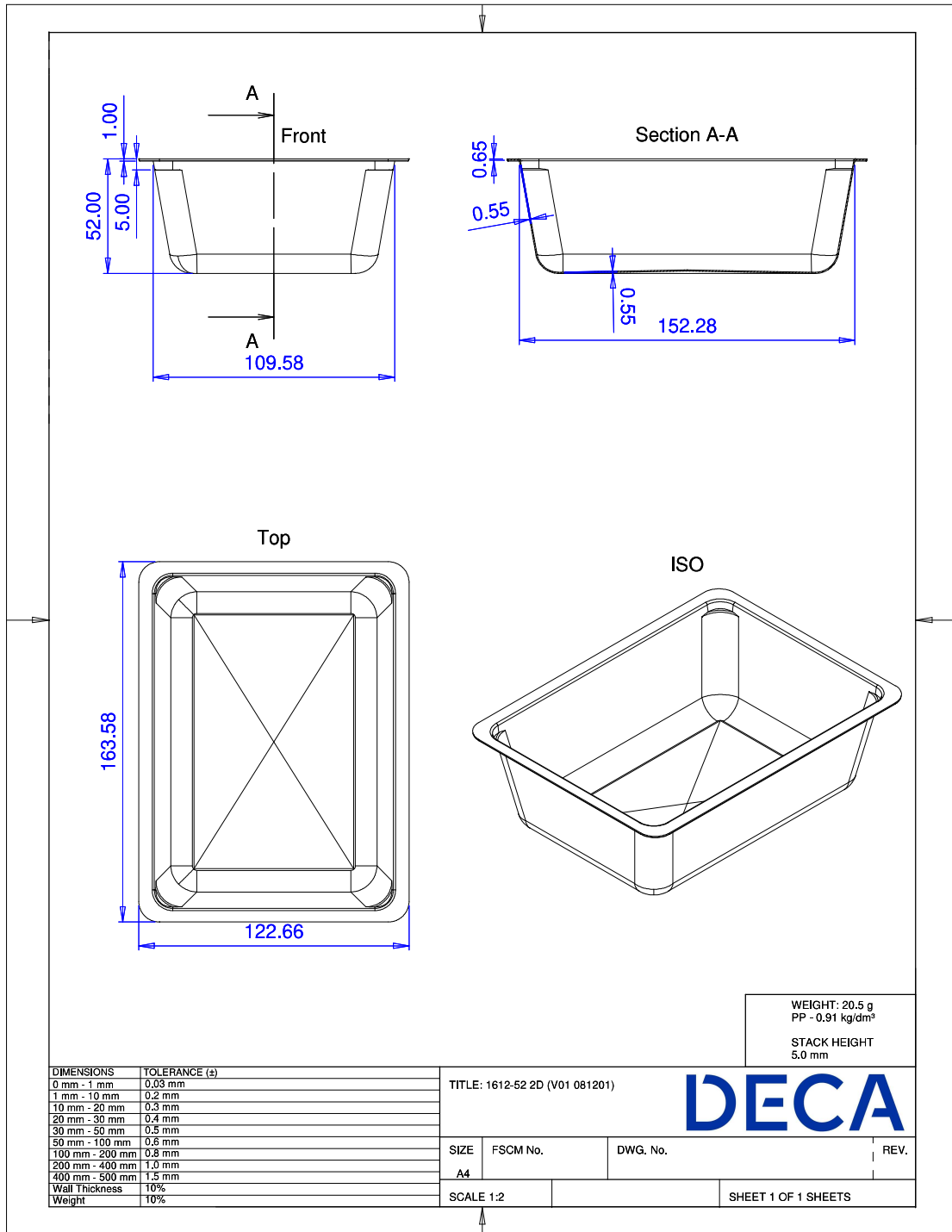
Packaging

Primary:	# in primary packaging: 648 pieces
Secondary:	# primary in secondary packaging: 1 piece Weight gross: 14,31 kg
Tertiary:	# in tertiary packaging: 20 boxes = 12.960 pieces Weight gross: 306,196 kg Standard height: 0 mm

Uses / Certificates

Storage conditions:	Keep out of direct sunlight, keep dry, store in original closed packaging, at ambient temperature, relative humidity between 40 and 70%.
Expiration:	We recommend to use the products within 1 year after purchase. We can not be held responsible for use after this period.
Document retention:	3 years after purchase

All our products adhere to Regulation (EC) 1935/2004 and Regulation (EU) 10/2011 incl. amendments.



All our products adhere to Regulation (EC) 1935/2004 and Regulation (EU) 10/2011 incl. amendments.