

1612-37 - 111462

Rectangular, sealable tray, transparent

Product specifications

| | | | |
|-------------------|--------|-----------|-----------|
| Material: | PP | Weight: | 17,5 gr |
| Volume (nominal): | 500 ml | Length: | 164,6 mm |
| | | Width: | 124,55 mm |
| | | Height: | 37 mm |
| | | Diameter: | mm |



* Volume under lid depends upon the lid used. Values shown are applicable when standard lid is used.

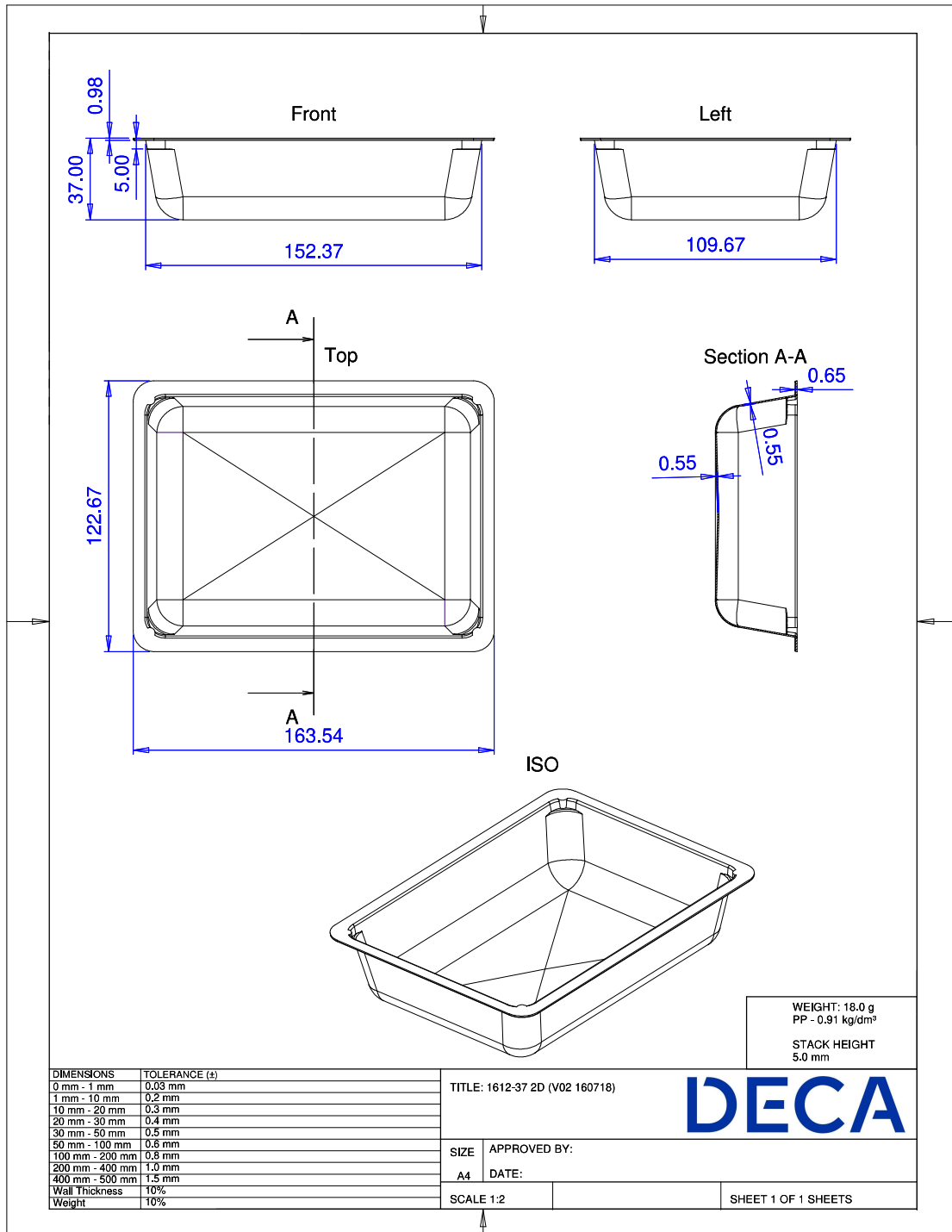
Packaging

| | |
|------------|----------------------------------------------------------------------------------------------------------------------------------------|
| Primary: | Blue bag for TP/TPS/Tray/Neutral box # in primary packaging: 630 pieces |
| Secondary: | # primary in secondary packaging: 1 piece Weight gross: 12,05 kg |
| Tertiary: | Europallet, 150x1200x800 # in tertiary packaging: 20 boxes = 12.600 pieces Weight gross: 261,016 kg Standard height: 2.250 mm |

Uses / Certificates

| | |
|---------------------|------------------------------------------------------------------------------------------------------------------------------------------|
| Storage conditions: | Keep out of direct sunlight, keep dry, store in original closed packaging, at ambient temperature, relative humidity between 40 and 70%. |
| Expiration: | We recommend to use the products within 1 year after purchase. We can not be held responsible for use after this period. |
| Document retention: | 3 years after purchase |

All our products adhere to Regulation (EC) 1935/2004 and Regulation (EU) 10/2011 incl. amendments.



All our products adhere to Regulation (EC) 1935/2004 and Regulation (EU) 10/2011 incl. amendments.