

# 1612-25 - 26200

Rectangular, sealable tray, transparent

## Product specifications

Material:	PP	Weight:	14,6 gr
Volume (nominal):	350 ml	Length:	164 mm
Volume to rim:	364,5 ml	Width:	123 mm
Volume under lid*:	364,5 ml	Height:	25 mm
		Diameter:	mm



\* Volume under lid depends upon the lid used. Values shown are applicable when standard lid is used.

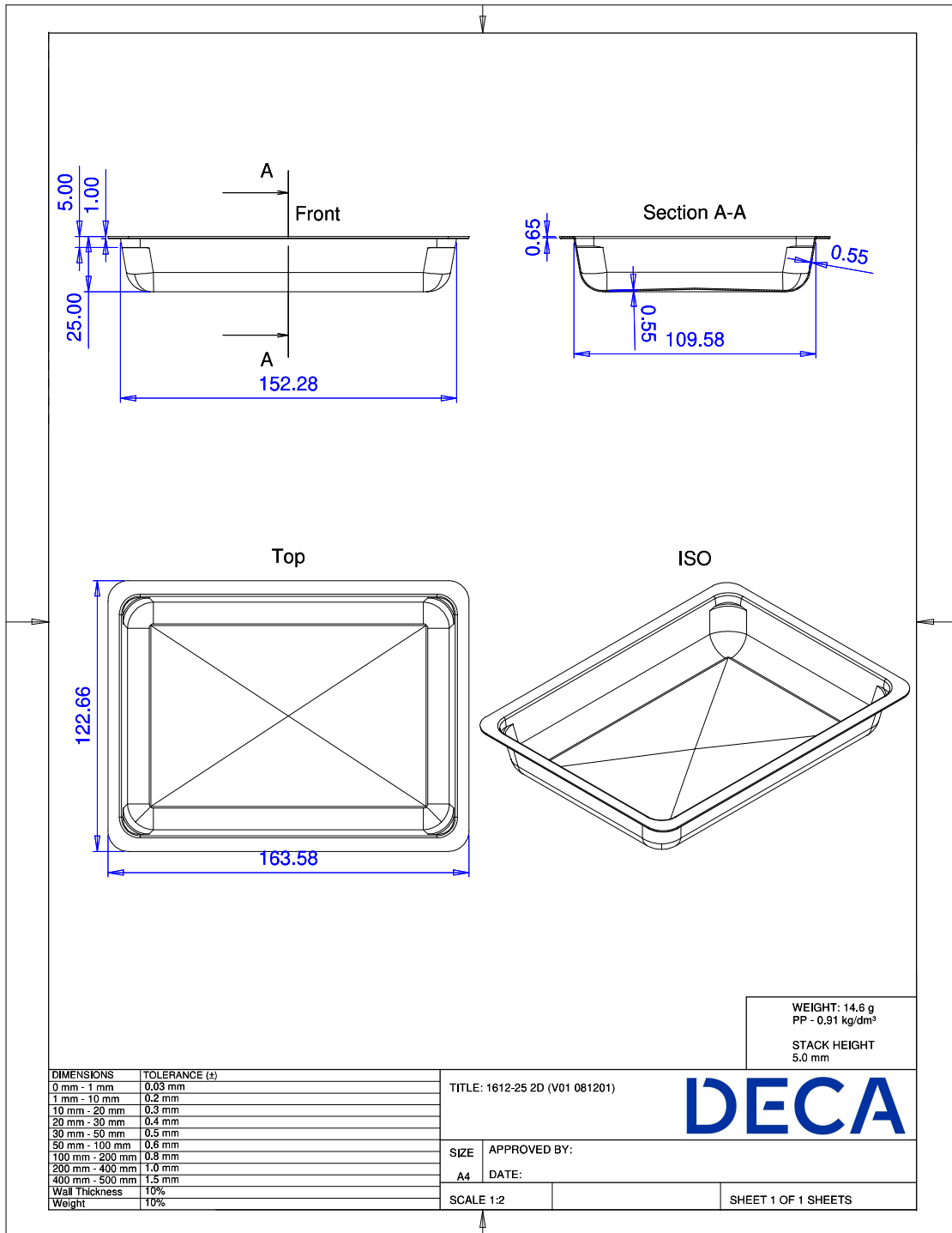
## Packaging

Primary:	Blue bag for TP/TPS/Tray/Neutral box # in primary packaging: 666 pieces
Secondary:	# primary in secondary packaging: 1 piece Weight gross: 10,75 kg
Tertiary:	Europallet, 150x1200x800 # in tertiary packaging: 20 boxes = 13.320 pieces Weight gross: 234,988 kg Standard height: 2.250 mm

## Uses / Certificates

Storage conditions:	Keep out of direct sunlight, keep dry, store in original closed packaging, at ambient temperature, relative humidity between 40 and 70%.
Expiration:	We recommend to use the products within 1 year after purchase. We can not be held responsible for use after this period.
Document retention:	3 years after purchase

All our products adhere to Regulation (EC) 1935/2004 and Regulation (EU) 10/2011 incl. amendments.



All our products adhere to Regulation (EC) 1935/2004 and Regulation (EU) 10/2011 incl. amendments.