

# 0007-OD - 22419

Round overlaying lid, transparent

## Product specifications

Material:	PP	Weight:	3,18 gr	
Volume (nominal):		Length:		Afbeelding
		Width:		
		Height:		
		Diameter:		

\* Volume under lid depends upon the lid used. Values shown are applicable when standard lid is used.

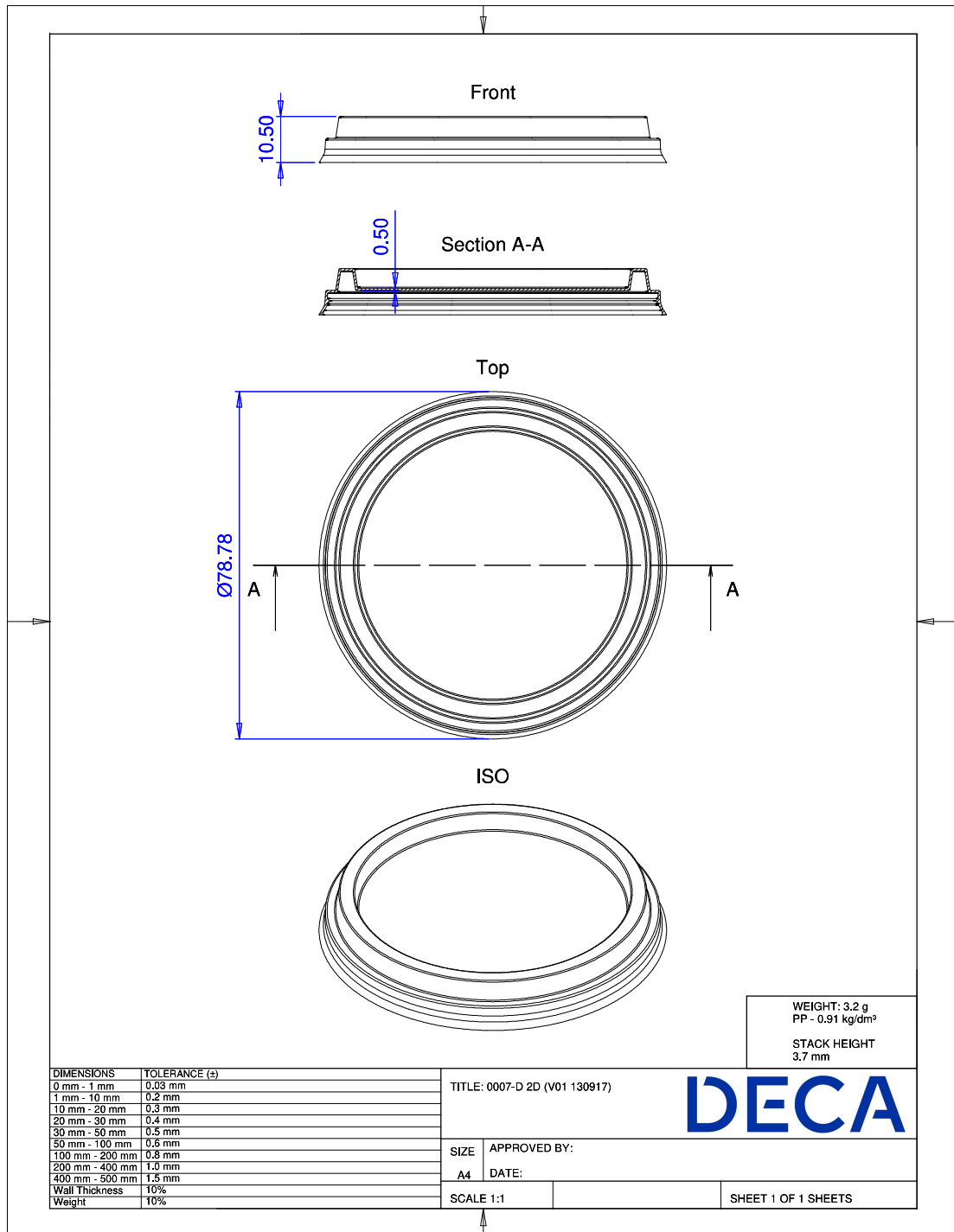
## Packaging

Primary:	# in primary packaging: 3500 pieces
Secondary:	# primary in secondary packaging: 1 piece Weight gross: 12,16 kg
Tertiary:	# in tertiary packaging: 20 boxes = 70.000 pieces Weight gross: 263,116 kg Standard height: 0 mm

## Uses / Certificates

Storage conditions:	Keep out of direct sunlight, keep dry, store in original closed packaging, at ambient temperature, relative humidity between 40 and 70%.
Expiration:	We recommend to use the products within 1 year after purchase. We can not be held responsible for use after this period.
Document retention:	3 years after purchase

All our products adhere to Regulation (EC) 1935/2004 and Regulation (EU) 10/2011 incl. amendments.



All our products adhere to Regulation (EC) 1935/2004 and Regulation (EU) 10/2011 incl. amendments.