

TPS192-3000 - 21883

Square container with safety closure, transparent

Product specifications

Material:	PP	Weight:	79 gr
Volume (nominal):	3000 ml	Length:	193,28 mm
Volume to rim:	3.237 ml	Width:	193,28 mm
Volume under lid*:	3.090 ml	Height:	112,5 mm
		Diameter:	mm



* Volume under lid depends upon the lid used. Values shown are applicable when standard lid is used.

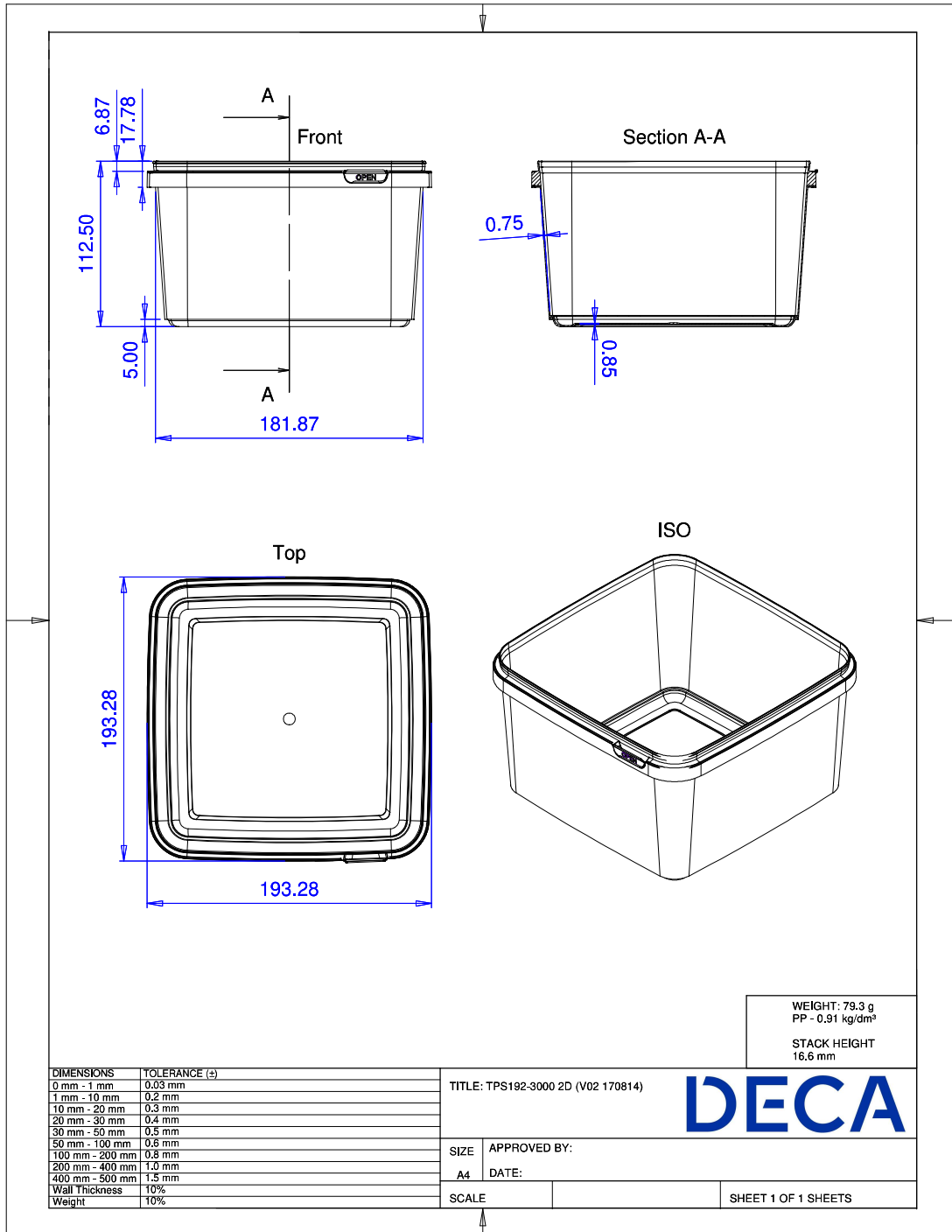
Packaging

Primary:	Green Sleeve # in primary packaging: 2880 pieces
Secondary:	# primary in secondary packaging: 1 piece Weight gross: 230,79 kg
Tertiary:	# in tertiary packaging: 1 boxes = 2.880 pieces Weight gross: 250,7928 kg Standard height: 173.002,5 mm

Uses / Certificates

Storage conditions:	Keep out of direct sunlight, keep dry, store in original closed packaging, at ambient temperature, relative humidity between 40 and 70%.
Expiration:	We recommend to use the products within 1 year after purchase. We can not be held responsible for use after this period.
Document retention:	3 years after purchase

All our products adhere to Regulation (EC) 1935/2004 and Regulation (EU) 10/2011 incl. amendments.



All our products adhere to Regulation (EC) 1935/2004 and Regulation (EU) 10/2011 incl. amendments.