

TPS192-2000 - 21868

Square container with safety closure, transparent

Product specifications

| | | | |
|--------------------|----------|-----------|-----------|
| Material: | PP | Weight: | 55,7 gr |
| Volume (nominal): | 2000 ml | Length: | 193,28 mm |
| Volume to rim: | 2.238 ml | Width: | 193,28 mm |
| Volume under lid*: | 2.051 ml | Height: | 76,95 mm |
| | | Diameter: | mm |



* Volume under lid depends upon the lid used. Values shown are applicable when standard lid is used.

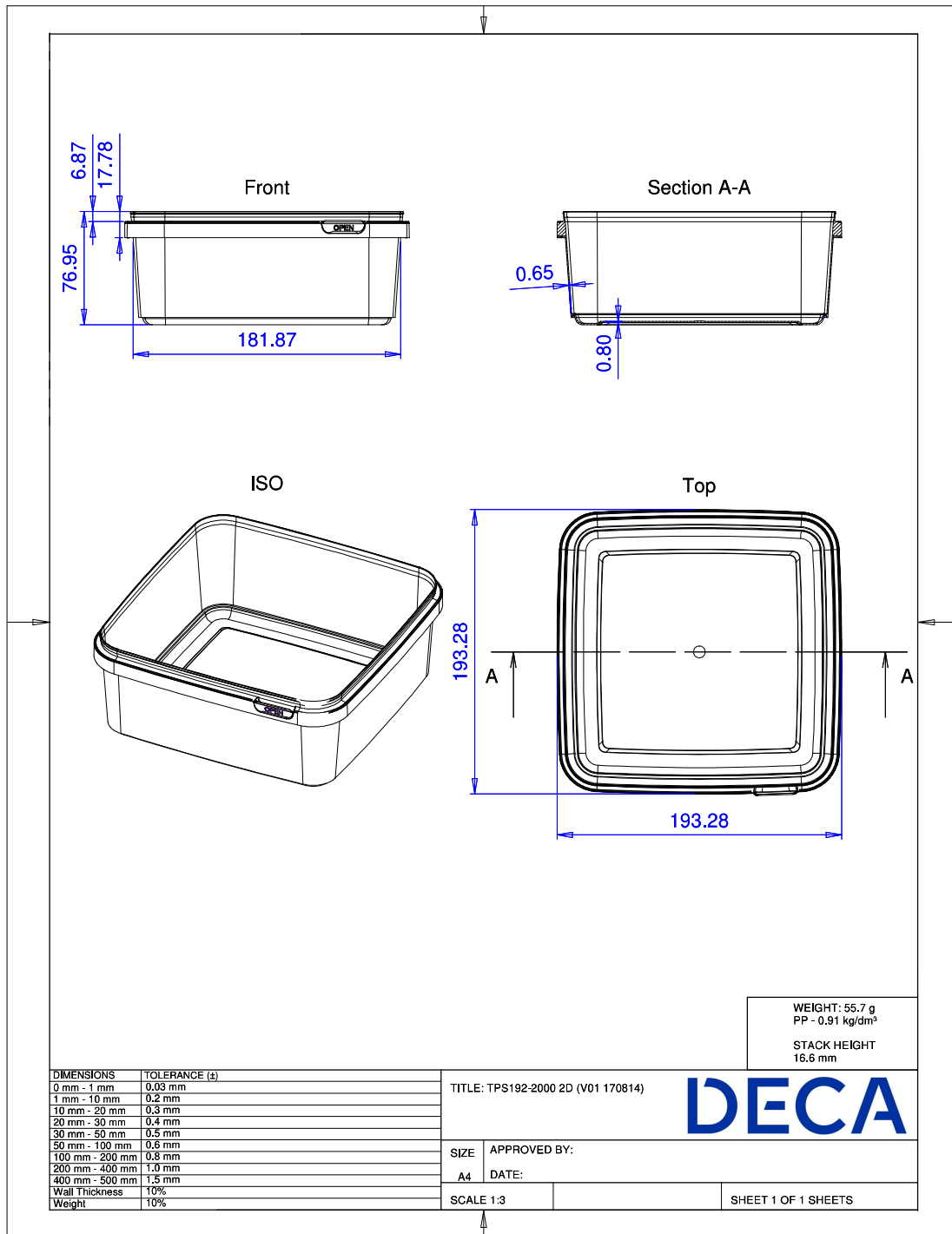
Packaging

| | |
|------------|--|
| Primary: | Green Sleeve # in primary packaging: 3168 pieces |
| Secondary: | # primary in secondary packaging: 1 piece Weight gross: 179,73 kg |
| Tertiary: | # in tertiary packaging: 1 boxes = 3.168 pieces Weight gross: 199,7304 kg Standard height: 46.623,5 mm |

Uses / Certificates

| | |
|---------------------|--|
| Storage conditions: | Keep out of direct sunlight, keep dry, store in original closed packaging, at ambient temperature, relative humidity between 40 and 70%. |
| Expiration: | We recommend to use the products within 1 year after purchase. We can not be held responsible for use after this period. |
| Document retention: | 3 years after purchase |

All our products adhere to Regulation (EC) 1935/2004 and Regulation (EU) 10/2011 incl. amendments.



All our products adhere to Regulation (EC) 1935/2004 and Regulation (EU) 10/2011 incl. amendments.