

TPS128-600 combi - 23729

Square container with lid and safety closure, transparent

Product specifications

Material:	PP	Weight:	32 gr
Volume (nominal):	600 ml	Length:	128 mm
		Width:	128 mm
		Height:	66 mm
		Diameter:	mm



* Volume under lid depends upon the lid used. Values shown are applicable when standard lid is used.

Packaging

Primary: # in primary packaging: 200 pieces

Secondary: # primary in secondary packaging: 1 piece
Weight gross: 5,64 kg

Tertiary: # in tertiary packaging: 24 boxes = 4.800 pieces
Weight gross: 155,3792 kg
Standard height: 0 mm

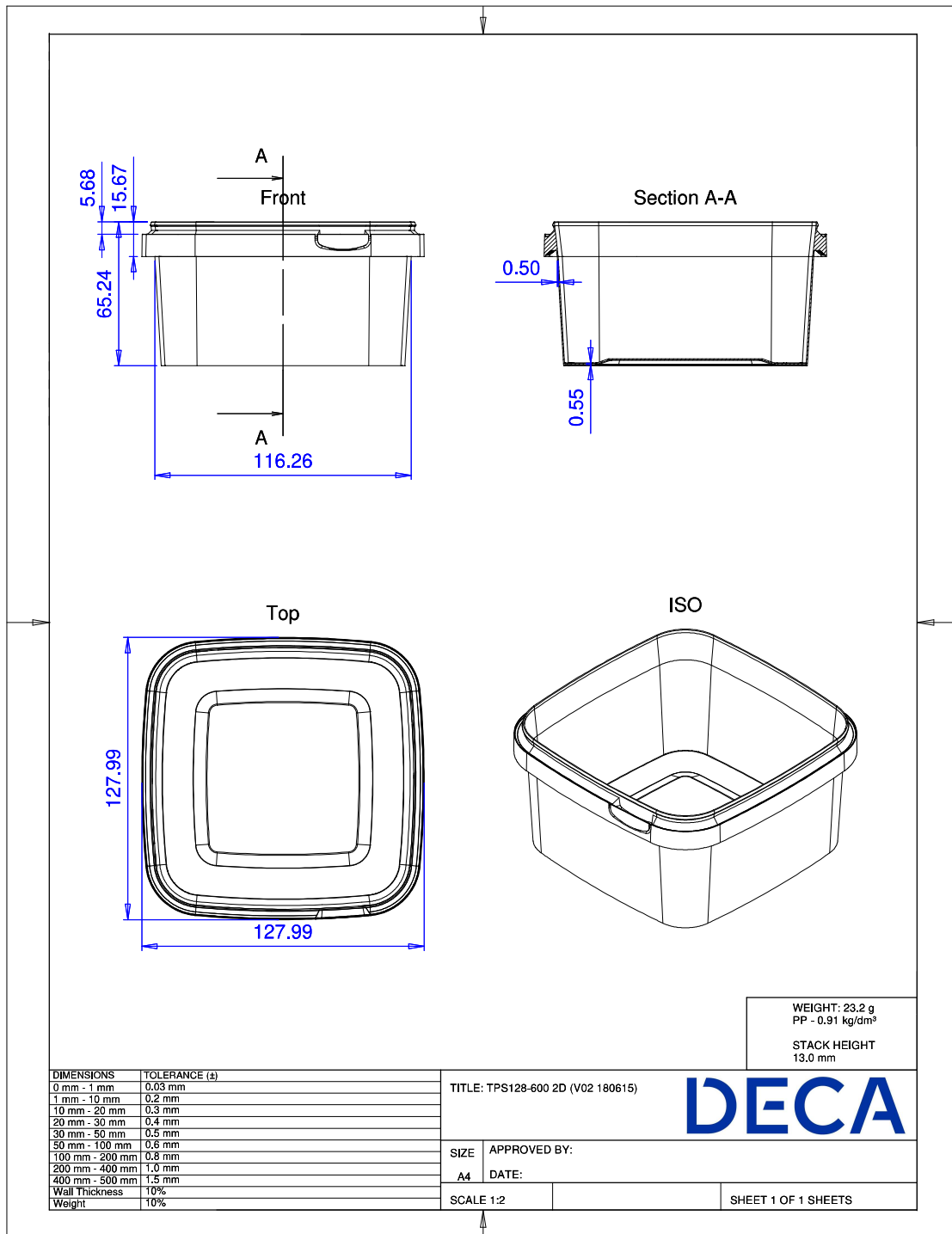
Uses / Certificates

Storage conditions: Keep out of direct sunlight, keep dry, store in original closed packaging, at ambient temperature, relative humidity between 40 and 70%.

Expiration: We recommend to use the products within 1 year after purchase. We can not be held responsible for use after this period.

Document retention: 3 years after purchase

All our products adhere to Regulation (EC) 1935/2004 and Regulation (EU) 10/2011 incl. amendments.



All our products adhere to Regulation (EC) 1935/2004 and Regulation (EU) 10/2011 incl. amendments.