

# TPS093-365 - 65186

Square container with safety closure, transparent

## Product specifications

Material:	PP	Weight:	14,7 gr
Volume (nominal):	365 ml	Length:	93 mm
		Width:	93 mm
		Height:	77 mm
		Diameter:	mm



\* Volume under lid depends upon the lid used. Values shown are applicable when standard lid is used.

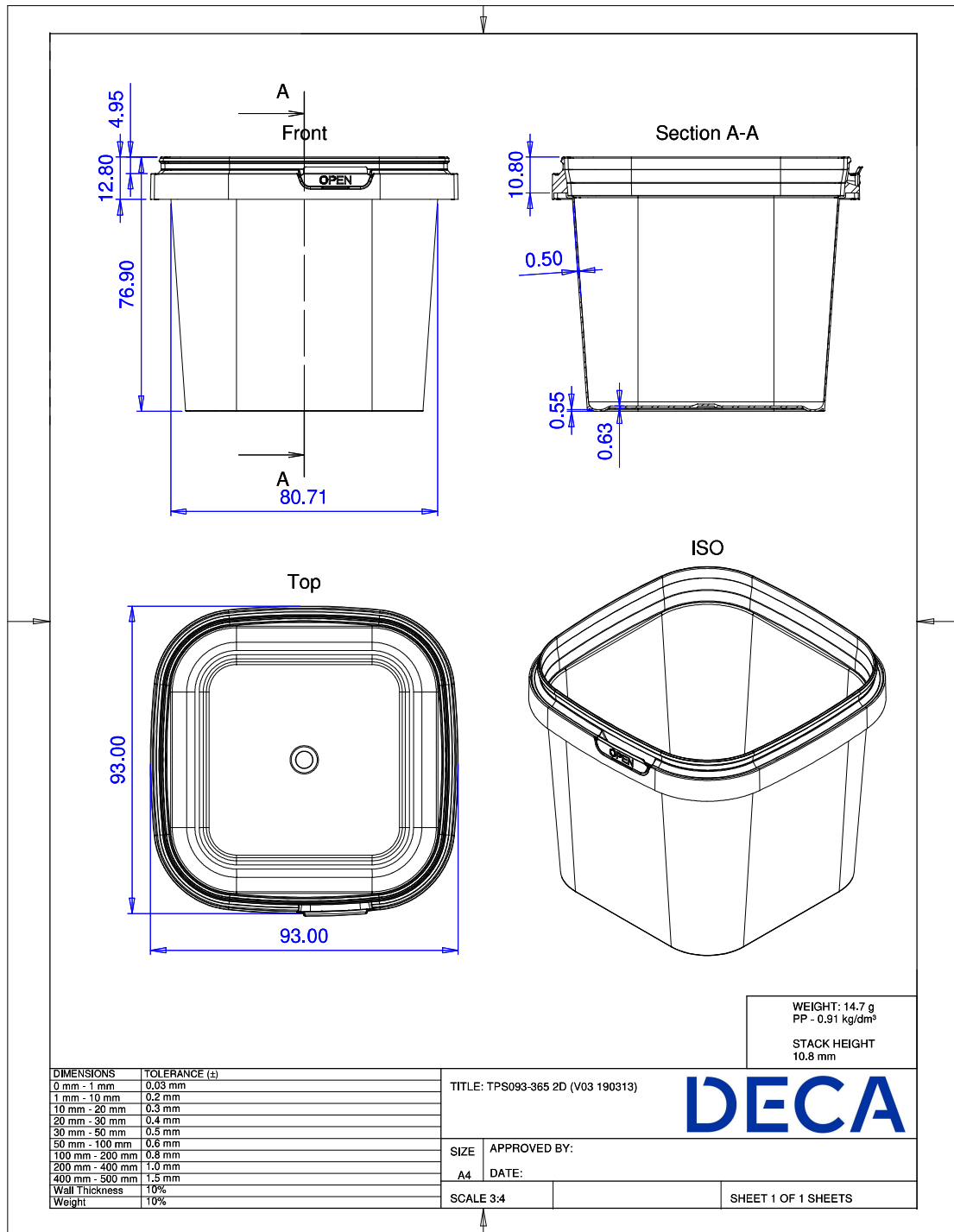
## Packaging

Primary:	# in primary packaging: 528 pieces
Secondary:	# primary in secondary packaging: 1 piece Weight gross: 8,68 kg
Tertiary:	Europallet, 150x1200x800 # in tertiary packaging: 24 boxes = 12.672 pieces Weight gross: 228,3776 kg Standard height: 2.160 mm

## Uses / Certificates

Storage conditions:	Keep out of direct sunlight, keep dry, store in original closed packaging, at ambient temperature, relative humidity between 40 and 70%.
Expiration:	We recommend to use the products within 1 year after purchase. We can not be held responsible for use after this period.
Document retention:	3 years after purchase

All our products adhere to Regulation (EC) 1935/2004 and Regulation (EU) 10/2011 incl. amendments.



All our products adhere to Regulation (EC) 1935/2004 and Regulation (EU) 10/2011 incl. amendments.