

## TPS079-DS - 21962

Square dome lid - sapphire, transparent

### Product specifications

Material:	PP	Weight:	3,5 gr
Volume (nominal):		Length:	79 mm
		Width:	79 mm
		Height:	
		Diameter:	



\* Volume under lid depends upon the lid used. Values shown are applicable when standard lid is used.

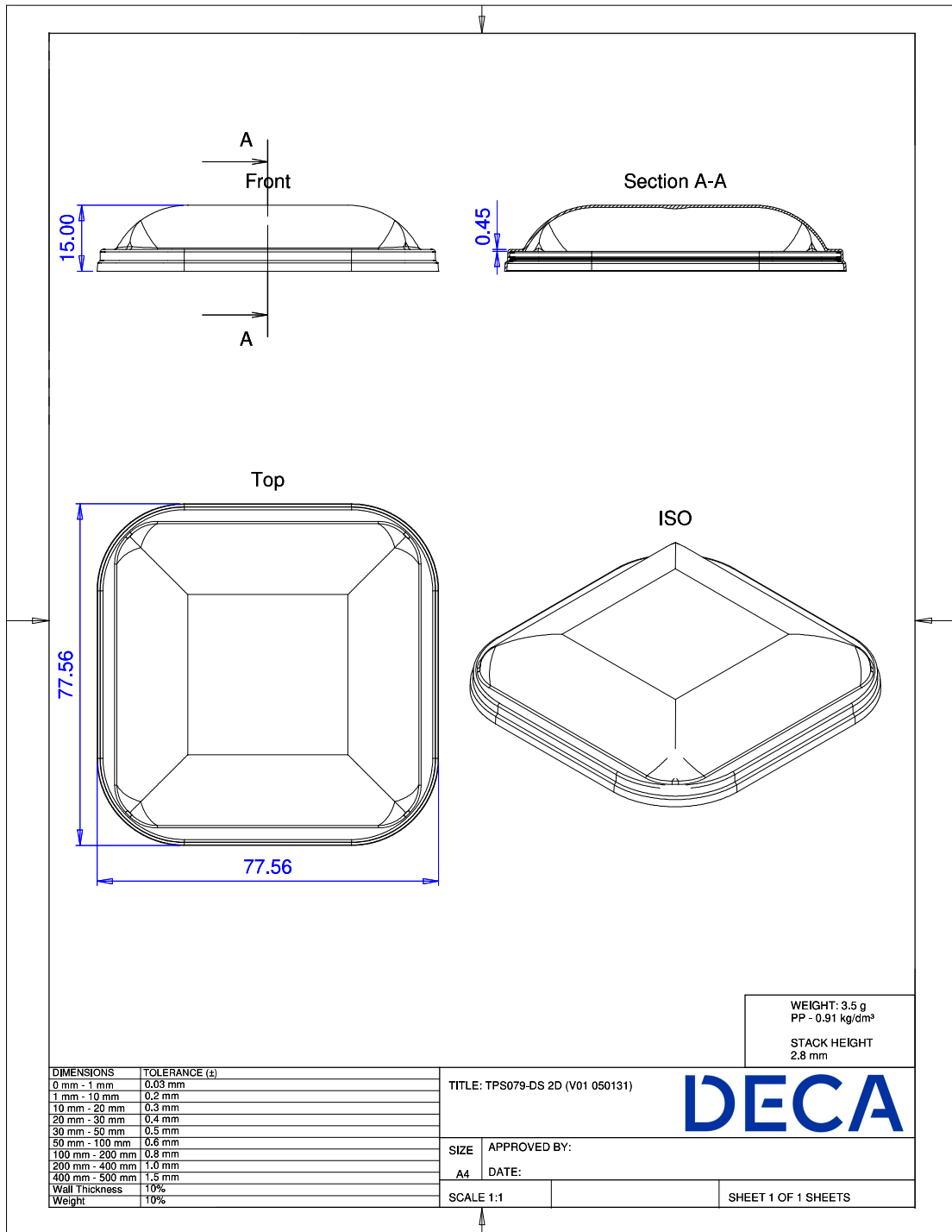
### Packaging

Primary:	Blue bag for TP/TPS/Tray/Neutral box # in primary packaging: 3850 pieces
Secondary:	# primary in secondary packaging: 1 piece Weight gross: 14,4 kg
Tertiary:	Europallet, 150x1200x800 # in tertiary packaging: 24 boxes = 92.400 pieces Weight gross: 365,4992 kg Standard height: 2.160 mm

### Uses / Certificates

Storage conditions:	Keep out of direct sunlight, keep dry, store in original closed packaging, at ambient temperature, relative humidity between 40 and 70%.
Expiration:	We recommend to use the products within 1 year after purchase. We can not be held responsible for use after this period.
Document retention:	3 years after purchase

All our products adhere to Regulation (EC) 1935/2004 and Regulation (EU) 10/2011 incl. amendments.



All our products adhere to Regulation (EC) 1935/2004 and Regulation (EU) 10/2011 incl. amendments.