

TPS079-425 combi - 65279

Square container with lid and safety closure, transparent
Polypropylene

Product specifications

Material:	PP	Weight:	
Volume (nominal):	425 ml	Length:	79,49 mm
		Width:	79,49 mm
		Height:	110 mm
		Diameter:	mm



* Volume under lid depends upon the lid used. Values shown are applicable when standard lid is used.

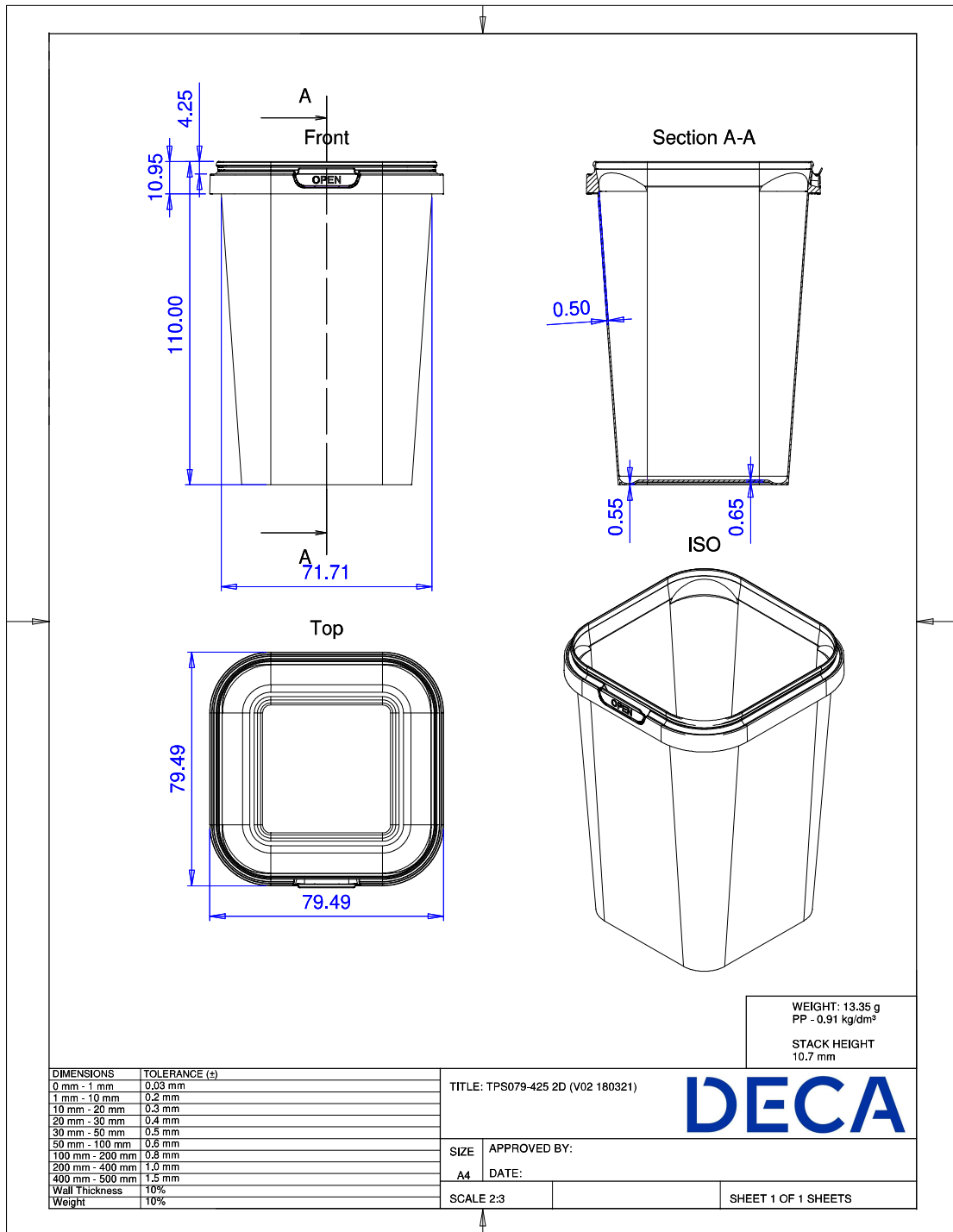
Packaging

Primary:	# in primary packaging: 598 pieces
Secondary:	# primary in secondary packaging: 1 piece Weight gross: 10,01 kg
Tertiary:	# in tertiary packaging: 24 boxes = 14.352 pieces Weight gross: 240,2496 kg Standard height: 0 mm

Uses / Certificates

Storage conditions:	Keep out of direct sunlight, keep dry, store in original closed packaging, at ambient temperature, relative humidity between 40 and 70%.
Expiration:	We recommend to use the products within 1 year after purchase. We can not be held responsible for use after this period.
Document retention:	3 years after purchase

All our products adhere to Regulation (EC) 1935/2004 and Regulation (EU) 10/2011 incl. amendments.



All our products adhere to Regulation (EC) 1935/2004 and Regulation (EU) 10/2011 incl. amendments.