

## TPS079-365 - 68407

Square container with safety closure, transparent

### Product specifications

|                   |        |           |          |
|-------------------|--------|-----------|----------|
| Material:         | PP     | Weight:   | 13,4 gr  |
| Volume (nominal): | 350 ml | Length:   | 79,49 mm |
|                   |        | Width:    | 79,49 mm |
|                   |        | Height:   | 92,3 mm  |
|                   |        | Diameter: | mm       |



\* Volume under lid depends upon the lid used. Values shown are applicable when standard lid is used.

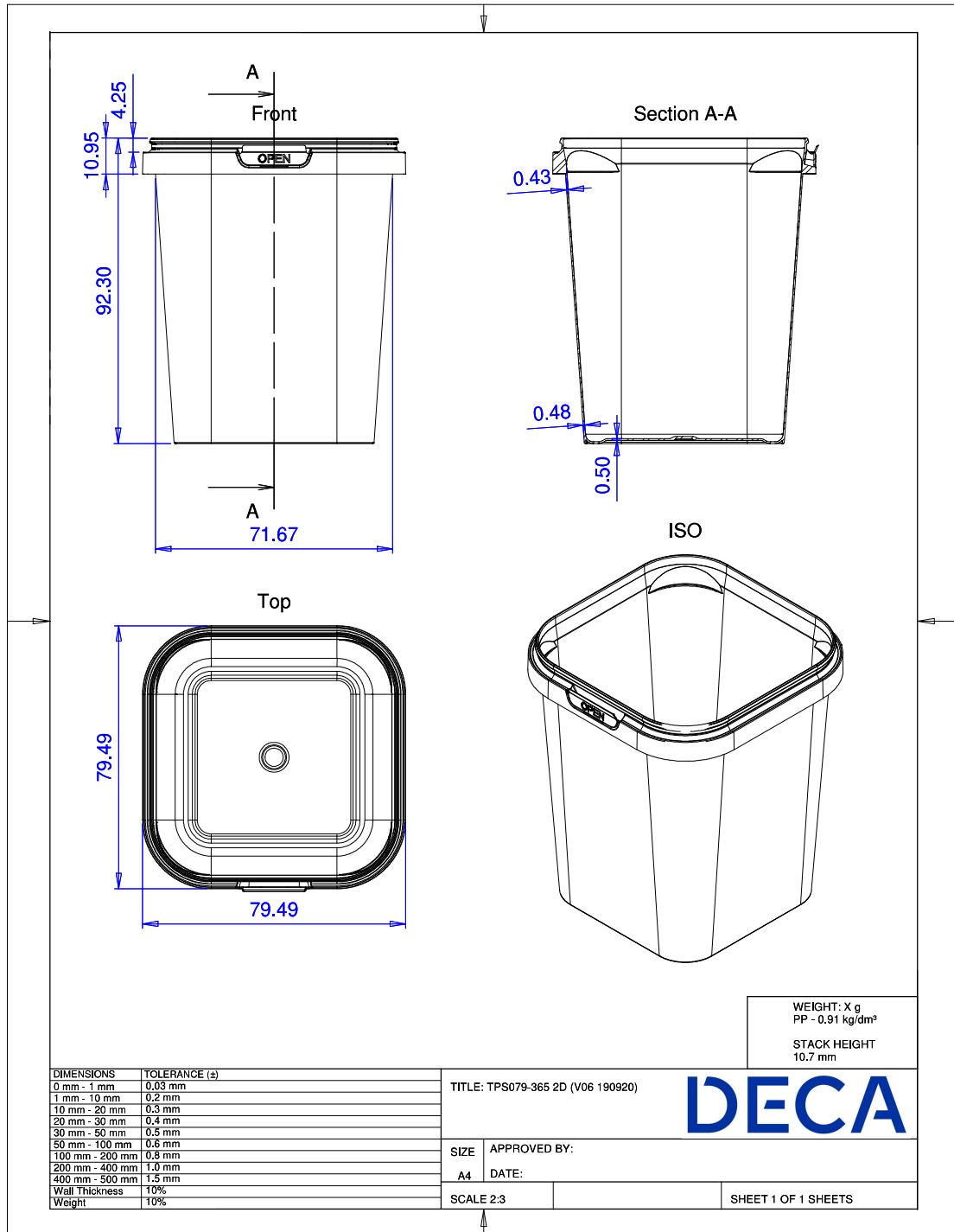
### Packaging

|            |   |
|------------|---|
| Primary:   | Blue bag for TP/TPS/Tray/Neutral box<br># in primary packaging: 784 pieces  |
| Secondary: | # primary in secondary packaging: 1 piece<br>Weight gross: 11,43 kg   |
| Tertiary:  | Europallet, 150x1200x800<br># in tertiary packaging: 24 boxes = 18.816 pieces<br>Weight gross: 294,2336 kg<br>Standard height: 2.160 mm |

### Uses / Certificates

|                     |  |
|---------------------|--|
| Storage conditions: | Keep out of direct sunlight, keep dry, store in original closed packaging, at ambient temperature, relative humidity between 40 and 70%. |
| Expiration:         | We recommend to use the products within 1 year after purchase. We can not be held responsible for use after this period.                 |
| Document retention: | 3 years after purchase   |

All our products adhere to Regulation (EC) 1935/2004 and Regulation (EU) 10/2011 incl. amendments.



All our products adhere to Regulation (EC) 1935/2004 and Regulation (EU) 10/2011 incl. amendments.