

TPS079-125 combi - 71087

Square container with lid and safety closure, transparent
Polypropylene

Product specifications

Material:	PP	Weight:	
Volume (nominal):	125 ml	Length:	79,47 mm
		Width:	79,47 mm
		Height:	33,3 mm
		Diameter:	mm



* Volume under lid depends upon the lid used. Values shown are applicable when standard lid is used.

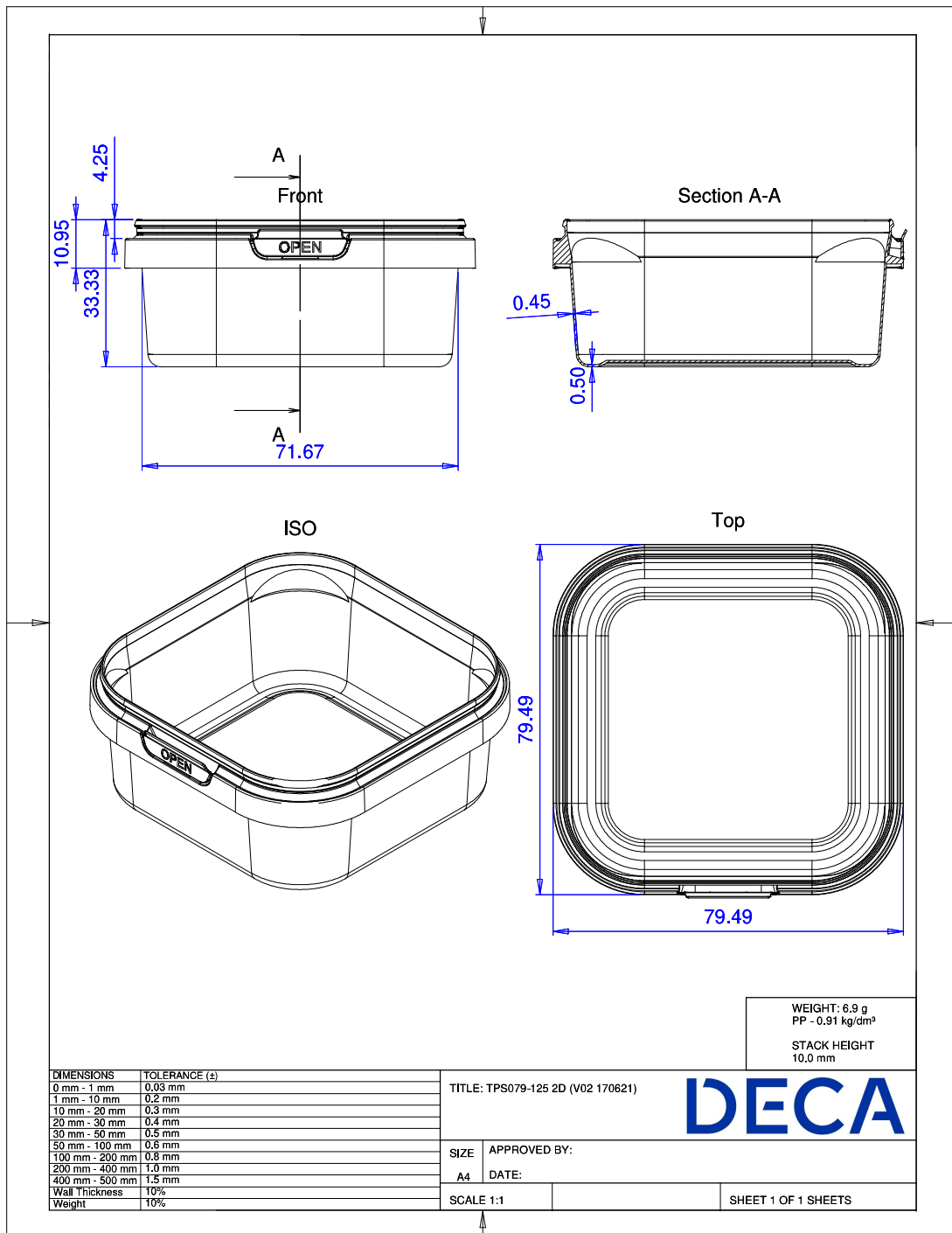
Packaging

Primary:	# in primary packaging: 770 pieces
Secondary:	# primary in secondary packaging: 1 piece Weight gross: 5,93 kg
Tertiary:	# in tertiary packaging: 24 boxes = 18.480 pieces Weight gross: 142,2192 kg Standard height: 0 mm

Uses / Certificates

Storage conditions:	Keep out of direct sunlight, keep dry, store in original closed packaging, at ambient temperature, relative humidity between 40 and 70%.
Expiration:	We recommend to use the products within 1 year after purchase. We can not be held responsible for use after this period.
Document retention:	3 years after purchase

All our products adhere to Regulation (EC) 1935/2004 and Regulation (EU) 10/2011 incl. amendments.



All our products adhere to Regulation (EC) 1935/2004 and Regulation (EU) 10/2011 incl. amendments.