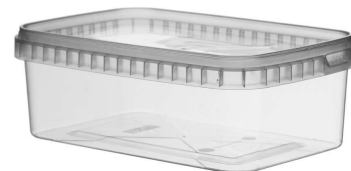


# TPR1912-1000 - 24153

Rectangular container with lid and safety closure, transparent

## Product specifications

Material:	PP	Weight:	432 gr
Volume (nominal):	1000 mm ml	Length:	193 mm
		Width:	129 mm
		Height:	842 mm
		Diameter:	mm



\* Volume under lid depends upon the lid used. Values shown are applicable when standard lid is used.

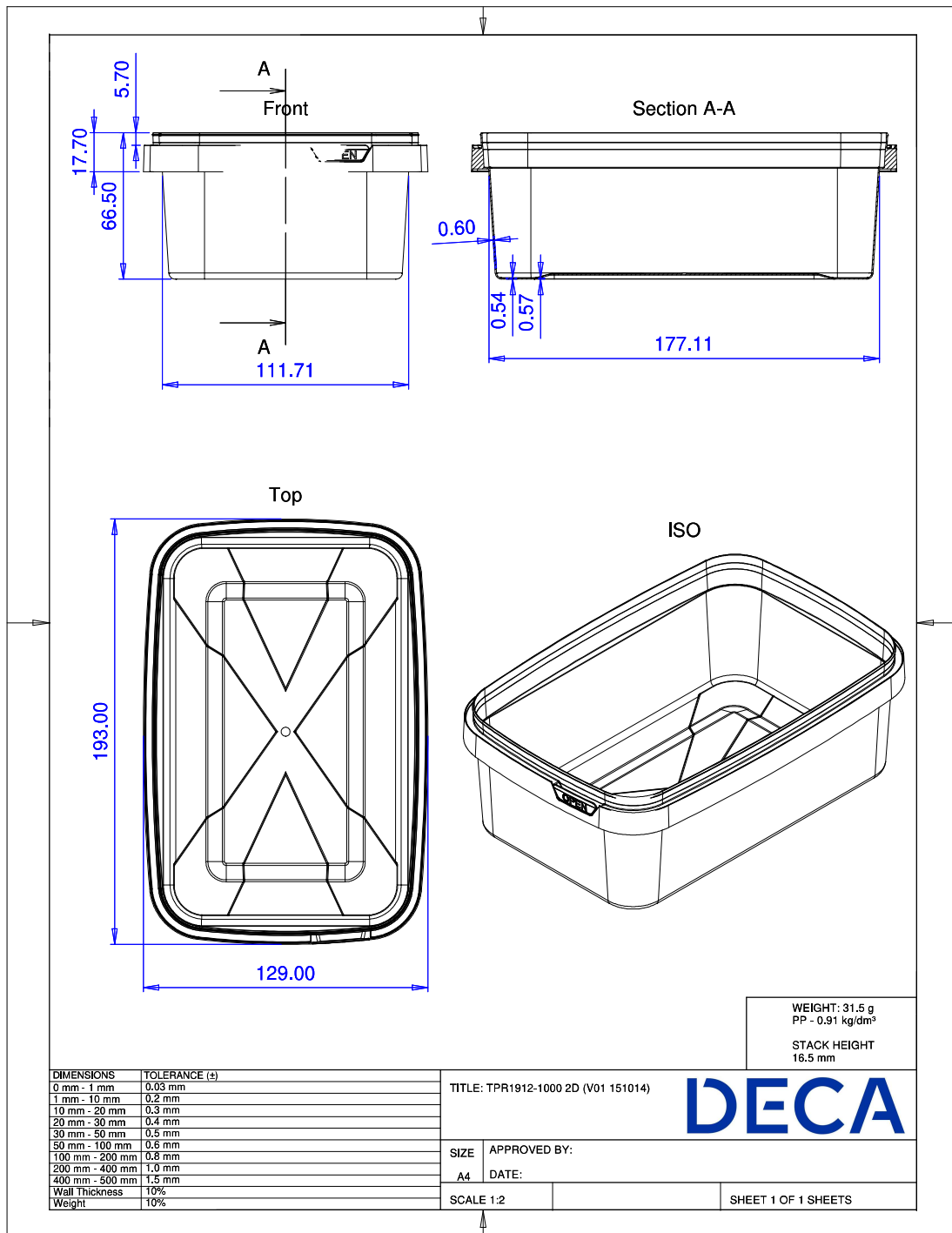
## Packaging

Primary:	# in primary packaging: 117 pieces
Secondary:	# primary in secondary packaging: 1 piece Weight gross: 4,69 kg
Tertiary:	# in tertiary packaging: 24 boxes = 2.808 pieces Weight gross: 132,57296 kg Standard height: 0 mm

## Uses / Certificates

Storage conditions:	Keep out of direct sunlight, keep dry, store in original closed packaging, at ambient temperature, relative humidity between 40 and 70%.
Expiration:	We recommend to use the products within 1 year after purchase. We can not be held responsible for use after this period.
Document retention:	3 years after purchase

All our products adhere to Regulation (EC) 1935/2004 and Regulation (EU) 10/2011 incl. amendments.



All our products adhere to Regulation (EC) 1935/2004 and Regulation (EU) 10/2011 incl. amendments.