

# TPR1208-D - 68124

Rectangular lid, transparent

## Product specifications

Material:	PP	Weight:	5,2 gr
Volume (nominal):		Length:	117 mm
		Width:	86 mm
		Height:	
		Diameter:	



\* Volume under lid depends upon the lid used. Values shown are applicable when standard lid is used.

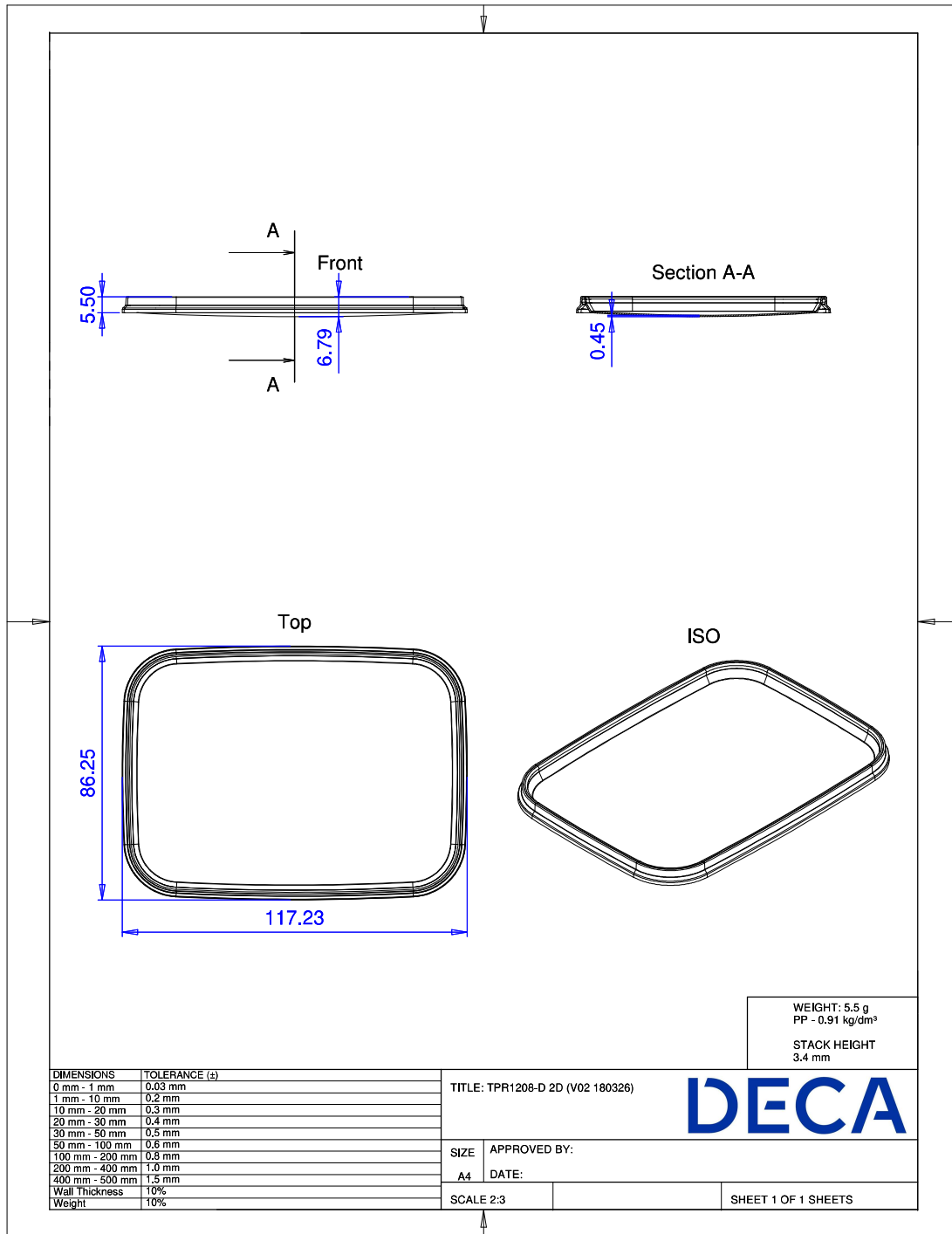
## Packaging

Primary:	# in primary packaging: 2016 pieces
Secondary:	# primary in secondary packaging: 1 piece Weight gross: 11,4 kg
Tertiary:	# in tertiary packaging: 24 boxes = 48.384 pieces Weight gross: 293,696 kg Standard height: 0 mm

## Uses / Certificates

Storage conditions:	Keep out of direct sunlight, keep dry, store in original closed packaging, at ambient temperature, relative humidity between 40 and 70%.
Expiration:	We recommend to use the products within 1 year after purchase. We can not be held responsible for use after this period.
Document retention:	3 years after purchase

All our products adhere to Regulation (EC) 1935/2004 and Regulation (EU) 10/2011 incl. amendments.



All our products adhere to Regulation (EC) 1935/2004 and Regulation (EU) 10/2011 incl. amendments.