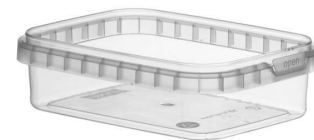


TPR1208-200 - 23933

Rectangular container with safety closure, transparent

Product specifications

Material:	PP	Weight:	10,26 gr
Volume (nominal):	200 ml	Length:	120 mm
Volume to rim:	245 ml	Width:	88 mm
Volume under lid*:	211 ml	Height:	32 mm
		Diameter:	mm



* Volume under lid depends upon the lid used. Values shown are applicable when standard lid is used.

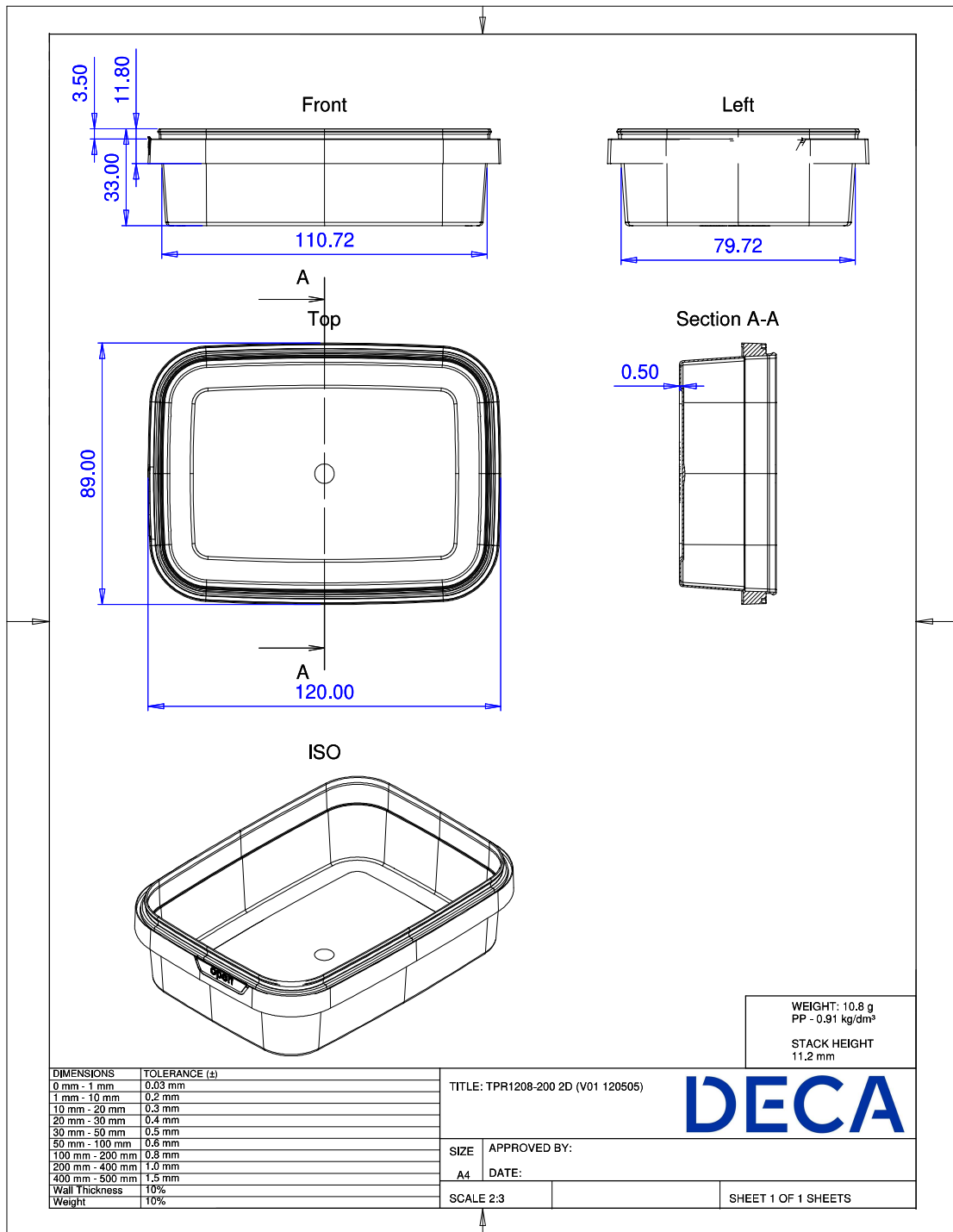
Packaging

Primary:	Blue bag for TP/TPS/Tray/Neutral box # in primary packaging: 520 pieces
Secondary:	# primary in secondary packaging: 1 piece Weight gross: 6,26 kg
Tertiary:	# in tertiary packaging: 24 boxes = 12.480 pieces Weight gross: 170,144 kg Standard height: 0 mm

Uses / Certificates

Storage conditions:	Keep out of direct sunlight, keep dry, store in original closed packaging, at ambient temperature, relative humidity between 40 and 70%.
Expiration:	We recommend to use the products within 1 year after purchase. We can not be held responsible for use after this period.
Document retention:	3 years after purchase

All our products adhere to Regulation (EC) 1935/2004 and Regulation (EU) 10/2011 incl. amendments.



All our products adhere to Regulation (EC) 1935/2004 and Regulation (EU) 10/2011 incl. amendments.