

TP95-280 - 70263

Round container with safety closure, transparent

Product specifications

Material:	PP	Weight:	11,6 gr
Volume (nominal):	280 ml	Length:	
Volume to rim:	338 ml	Width:	
Volume under lid*:	306 ml	Height:	65,75 mm
		Diameter:	96,92 mm



* Volume under lid depends upon the lid used. Values shown are applicable when standard lid is used.

Packaging

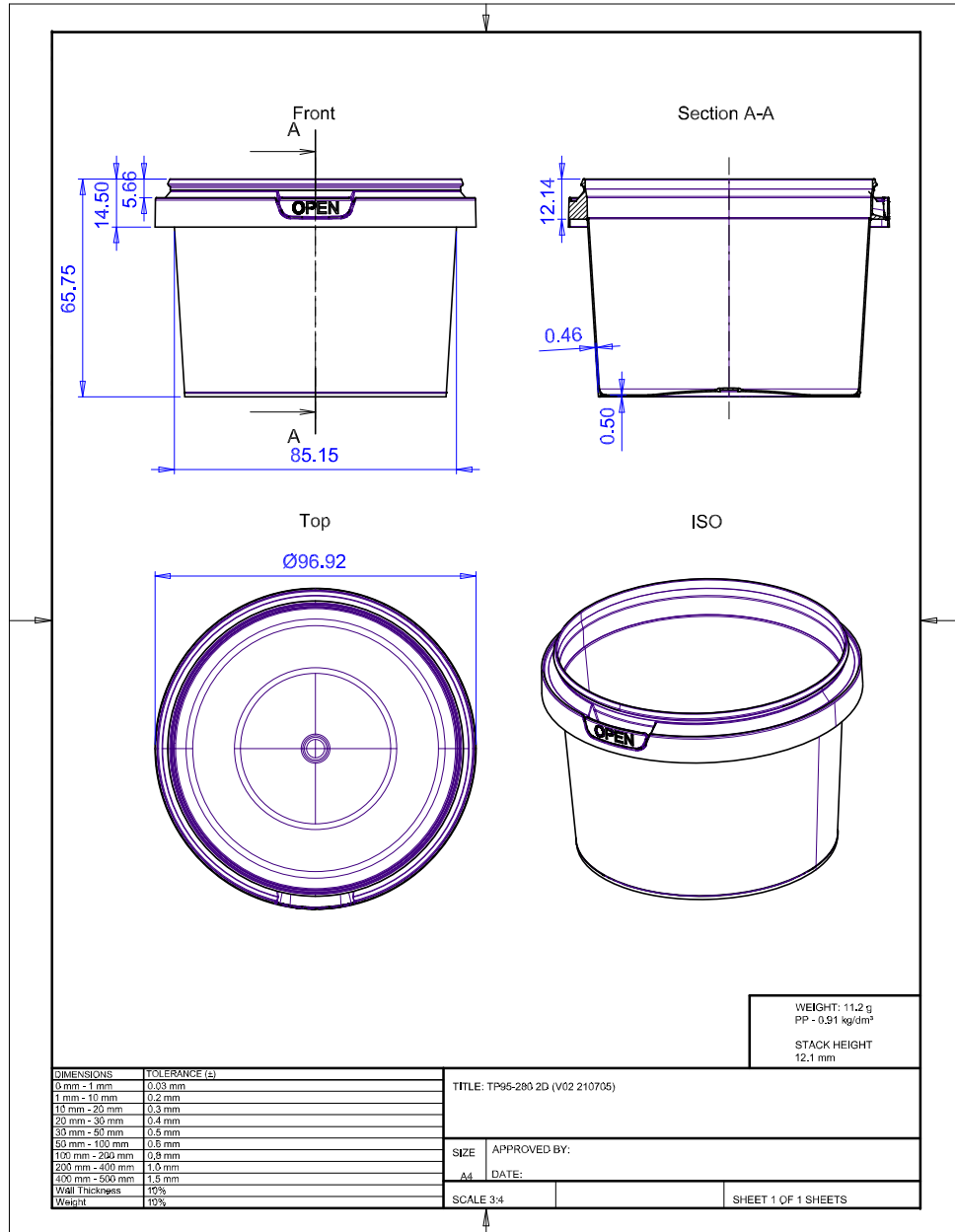
Primary:	# in primary packaging: 600 pieces
Secondary:	Carton Deca TP 585, 400x600x400 # primary in secondary packaging: 1 piece Weight gross: 7,94 kg
Tertiary:	# in tertiary packaging: 20 boxes = 12.000 pieces Weight gross: 178,816 kg Standard height: 0 mm

Uses / Certificates

Storage conditions:	Keep out of direct sunlight, keep dry, store in original closed packaging, at ambient temperature, relative humidity between 40 and 70%.
Expiration:	We recommend to use the products within 1 year after purchase. We can not be held responsible for use after this period.
Document retention:	3 years after purchase

All our products adhere to Regulation (EC) 1935/2004 and Regulation (EU) 10/2011 incl. amendments.

x



All our products adhere to Regulation (EC) 1935/2004 and Regulation (EU) 10/2011 incl. amendments.