

TP95-210 combi - 71316

Round container with lid and safety closure, transparent

Product specifications

| | | |
|-------------------|----|-----------|
| Material: | PP | Weight: |
| Volume (nominal): | | Length: |
| | | Width: |
| | | Height: |
| | | Diameter: |



* Volume under lid depends upon the lid used. Values shown are applicable when standard lid is used.

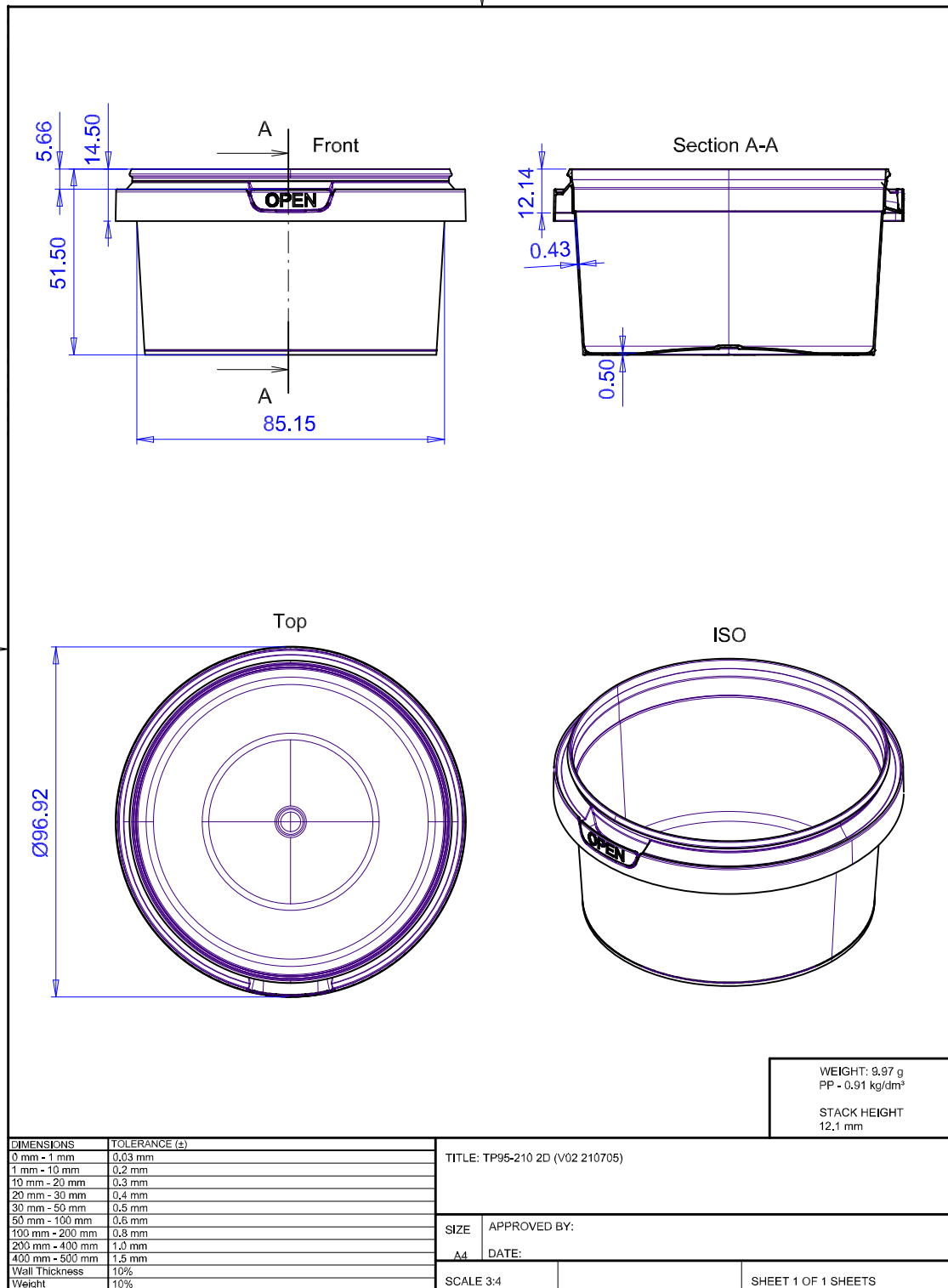
Packaging

| | |
|------------|-------------------------------------------------------------------------------------------------------|
| Primary: | # in primary packaging: 494 pieces |
| Secondary: | Carton Deca TP 585, 400x600x400 # primary in secondary packaging: 1 piece Weight gross: 6,02 kg |
| Tertiary: | # in tertiary packaging: 20 boxes = 9.880 pieces Weight gross: 140,392 kg Standard height: 0 mm |

Uses / Certificates

| | |
|---------------------|------------------------------------------------------------------------------------------------------------------------------------------|
| Storage conditions: | Keep out of direct sunlight, keep dry, store in original closed packaging, at ambient temperature, relative humidity between 40 and 70%. |
| Expiration: | We recommend to use the products within 1 year after purchase. We can not be held responsible for use after this period. |
| Document retention: | 3 years after purchase |

All our products adhere to Regulation (EC) 1935/2004 and Regulation (EU) 10/2011 incl. amendments.



All our products adhere to Regulation (EC) 1935/2004 and Regulation (EU) 10/2011 incl. amendments.