

TP69-155 - 22049

Round container with safety closure, transparent

Product specifications

Material:	PP	Weight:	6,97 gr
Volume (nominal):	155 ml	Length:	
Volume to rim:	176 ml	Width:	
Volume under lid*:	155 ml	Height:	68 mm
		Diameter:	69 mm



* Volume under lid depends upon the lid used. Values shown are applicable when standard lid is used.

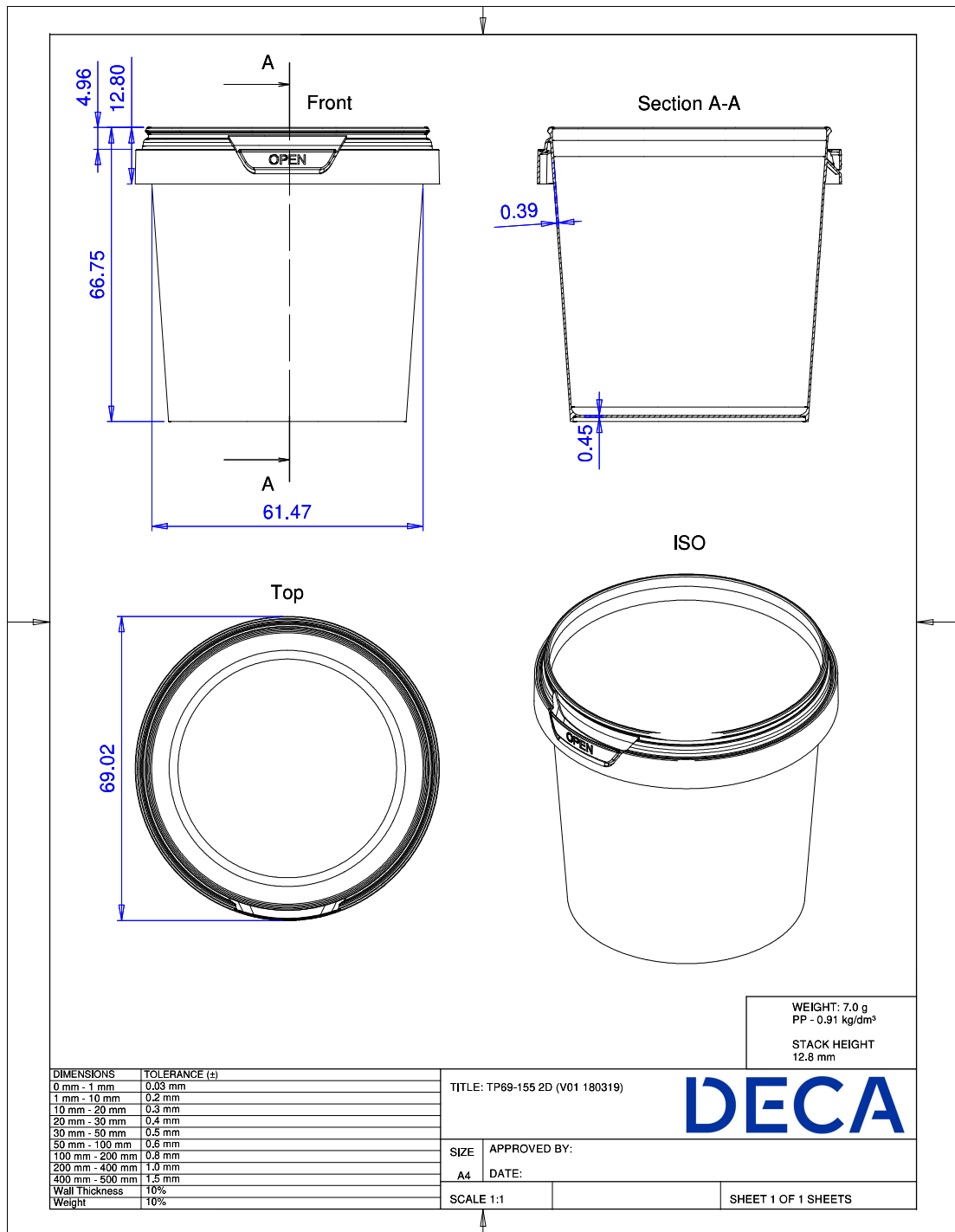
Packaging

Primary:	Blue bag for TP/TPS/Tray/Neutral box # in primary packaging: 1152 pieces
Secondary:	Carton Deca TP 585, 400x600x400 # primary in secondary packaging: 1 piece Weight gross: 9,01 kg
Tertiary:	Europallet, 150x1200x800 # in tertiary packaging: 20 boxes = 23.040 pieces Weight gross: 200,2048 kg Standard height: 2.075 mm

Uses / Certificates

Storage conditions:	Keep out of direct sunlight, keep dry, store in original closed packaging, at ambient temperature, relative humidity between 40 and 70%.
Expiration:	We recommend to use the products within 1 year after purchase. We can not be held responsible for use after this period.
Document retention:	3 years after purchase

All our products adhere to Regulation (EC) 1935/2004 and Regulation (EU) 10/2011 incl. amendments.



All our products adhere to Regulation (EC) 1935/2004 and Regulation (EU) 10/2011 incl. amendments.