

# TP69-120 combi - 23402

Round container with lid and safety closure, transparent

## Product specifications

|                   |        |           |       |
|-------------------|--------|-----------|-------|
| Material:         | PP     | Weight:   | 77 gr |
| Volume (nominal): | 120 ml | Length:   |       |
|                   |        | Width:    |       |
|                   |        | Height:   | 52 mm |
|                   |        | Diameter: | 69 mm |



\* Volume under lid depends upon the lid used. Values shown are applicable when standard lid is used.

## Packaging

|            |  |
|------------|--|
| Primary:   | # in primary packaging: 1000 pieces  |
| Secondary: | Carton Deca TP 585, 400x600x400<br># primary in secondary packaging: 1 piece<br>Weight gross: 6,08 kg  |
| Tertiary:  | # in tertiary packaging: 20 boxes = 20.000 pieces<br>Weight gross: 141,616 kg<br>Standard height: 0 mm |

## Uses / Certificates

|                     |  |
|---------------------|--|
| Storage conditions: | Keep out of direct sunlight, keep dry, store in original closed packaging, at ambient temperature, relative humidity between 40 and 70%. |
| Expiration:         | We recommend to use the products within 1 year after purchase. We can not be held responsible for use after this period.                 |
| Document retention: | 3 years after purchase   |



Freezer



Microwave



Dishwasher

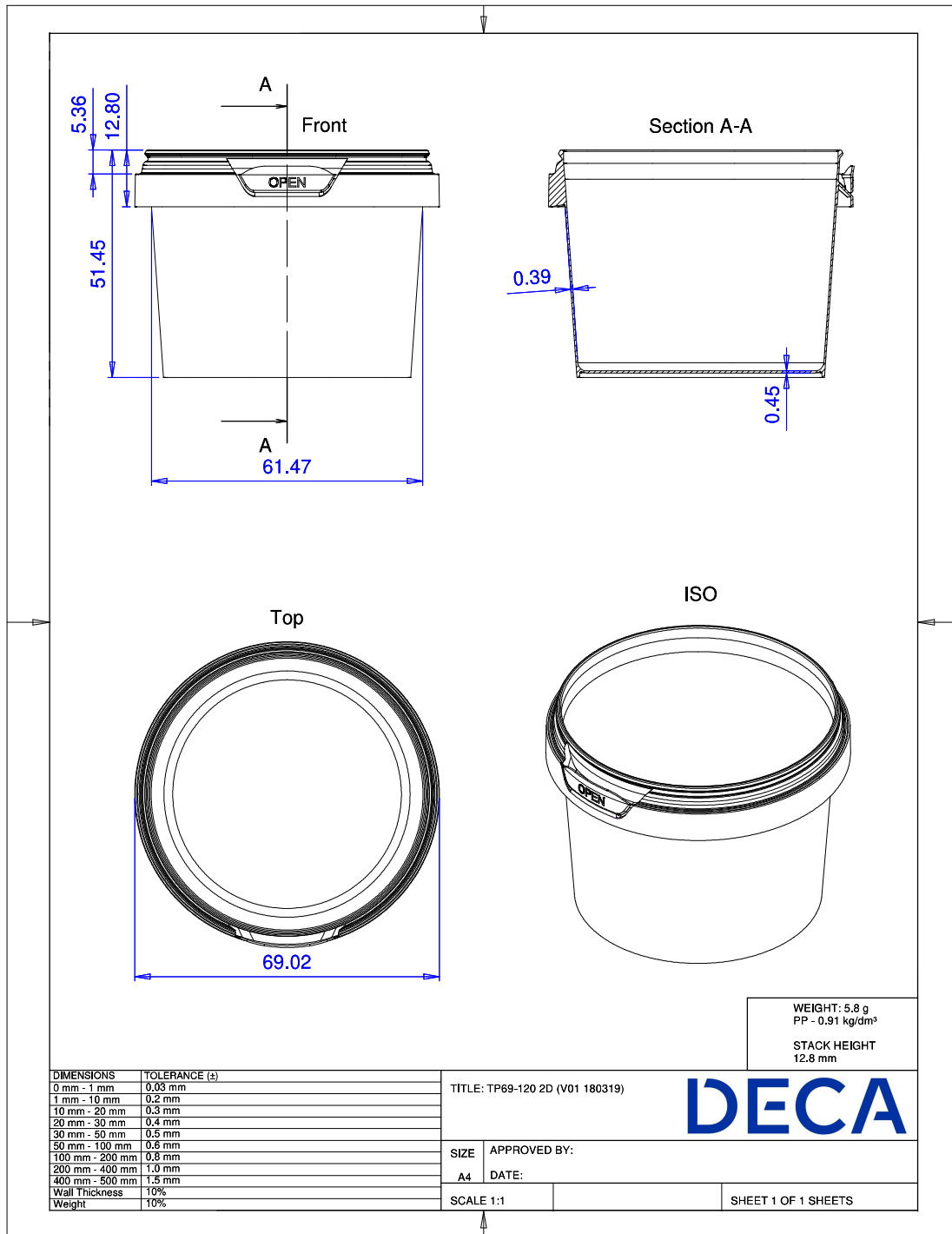


EG Certificate



Colors (optional)

All our products adhere to Regulation (EC) 1935/2004 and Regulation (EU) 10/2011 incl. amendments.



All our products adhere to Regulation (EC) 1935/2004 and Regulation (EU) 10/2011 incl. amendments.