

TP184-1500 - 25709

Round container with safety closure, transparent

Product specifications

Material:	PP	Weight:	36,7 gr
Volume (nominal):	1500 ml	Length:	
Volume to rim:	1.674 ml	Width:	
Volume under lid*:	1.545 ml	Height:	79 mm
		Diameter:	184 mm



* Volume under lid depends upon the lid used. Values shown are applicable when standard lid is used.

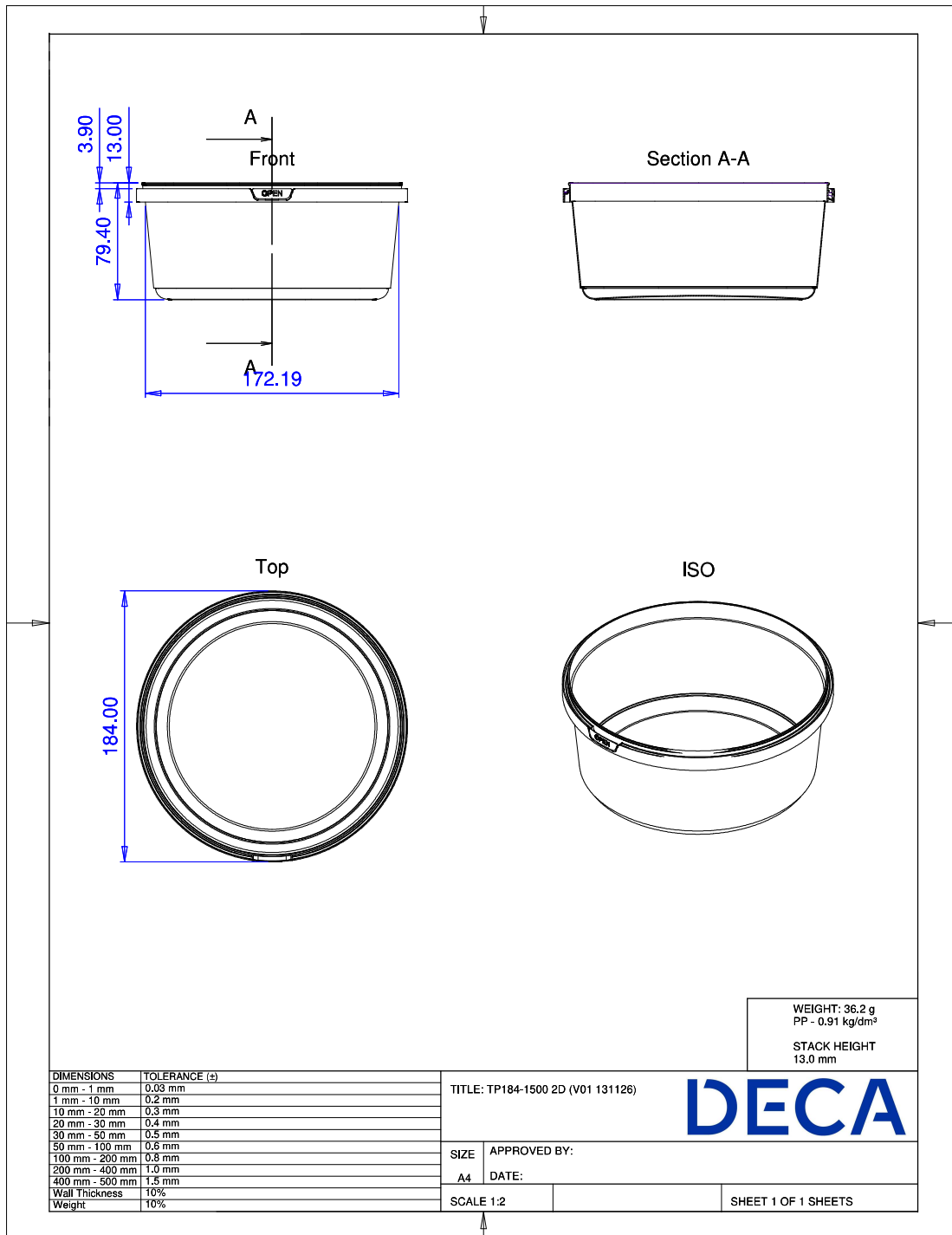
Packaging

Primary:	# in primary packaging: 1776 pieces
Secondary:	# primary in secondary packaging: 1 piece Weight gross: 69,71 kg
Tertiary:	# in tertiary packaging: 1 boxes = 1.776 pieces Weight gross: 89,71294 kg Standard height: 1.300 mm

Uses / Certificates

Storage conditions:	Keep out of direct sunlight, keep dry, store in original closed packaging, at ambient temperature, relative humidity between 40 and 70%.
Expiration:	We recommend to use the products within 1 year after purchase. We can not be held responsible for use after this period.
Document retention:	3 years after purchase

All our products adhere to Regulation (EC) 1935/2004 and Regulation (EU) 10/2011 incl. amendments.



All our products adhere to Regulation (EC) 1935/2004 and Regulation (EU) 10/2011 incl. amendments.