

# TP118-870 combi - 65193

Round container with lid and safety closure, transparent

## Product specifications

Material:	PP	Weight:	32 gr
Volume (nominal):	870 ml	Length:	
		Width:	
		Height:	124 mm
		Diameter:	118 mm



\* Volume under lid depends upon the lid used. Values shown are applicable when standard lid is used.

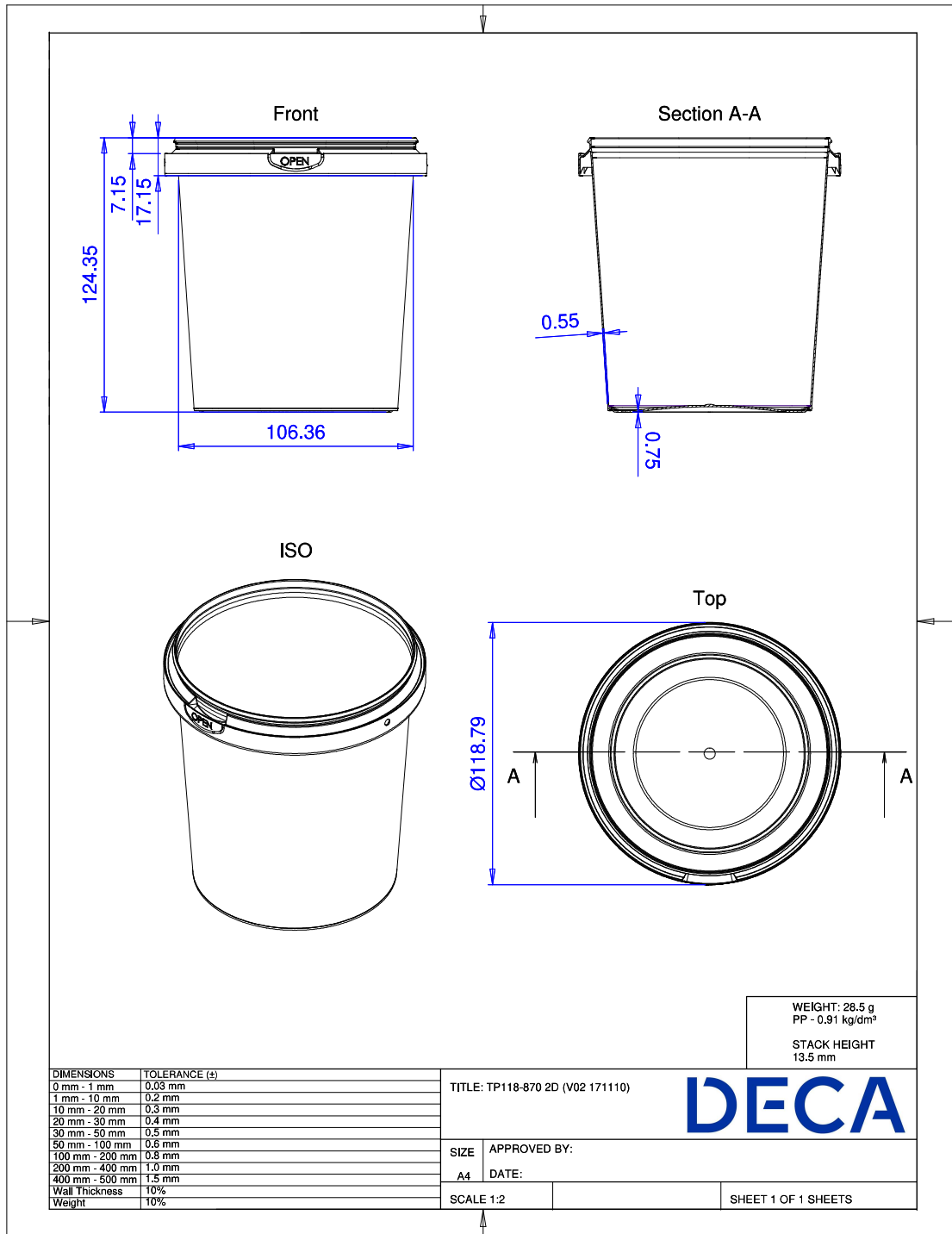
## Packaging

Primary:	# in primary packaging: 228 pieces
Secondary:	Carton Deca TP 585, 400x600x400 # primary in secondary packaging: 1 piece Weight gross: 8,88 kg
Tertiary:	# in tertiary packaging: 20 boxes = 4.560 pieces Weight gross: 197,62 kg Standard height: 0 mm

## Uses / Certificates

Storage conditions:	Keep out of direct sunlight, keep dry, store in original closed packaging, at ambient temperature, relative humidity between 40 and 70%.
Expiration:	We recommend to use the products within 1 year after purchase. We can not be held responsible for use after this period.
Document retention:	3 years after purchase

All our products adhere to Regulation (EC) 1935/2004 and Regulation (EU) 10/2011 incl. amendments.



All our products adhere to Regulation (EC) 1935/2004 and Regulation (EU) 10/2011 incl. amendments.