

ROTP133-DT - 69458

Round lid, transparent
PET

Product specifications

Material:	PET	Weight:	6 gr
Volume (nominal):	n/a ml	Length:	
		Width:	
		Height:	8 mm
		Diameter:	133 mm



* Volume under lid depends upon the lid used. Values shown are applicable when standard lid is used.

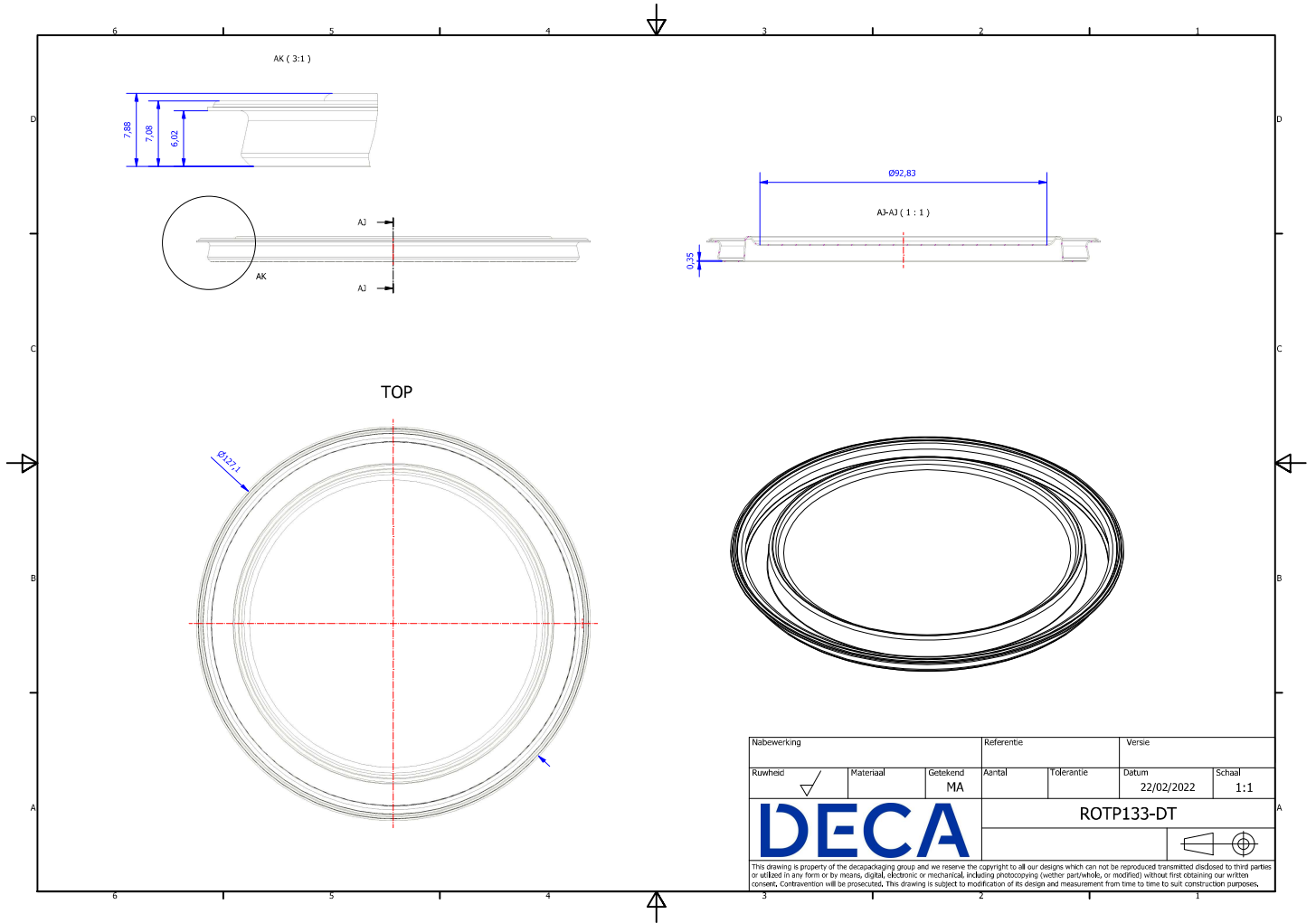
Packaging

Primary:	# in primary packaging: 930 pieces
Secondary:	Carton Deca TP 585, 400x600x400 # primary in secondary packaging: 1 piece Weight gross: 6,59 kg
Tertiary:	Europallet, 150x1200x800 # in tertiary packaging: 20 boxes = 18.600 pieces Weight gross: 151,7 kg Standard height: 2.075 mm

Uses / Certificates

Storage conditions:	Keep out of direct sunlight, keep dry, store in original closed packaging, at ambient temperature, relative humidity between 40 and 70%.
Expiration:	We recommend to use the products within 1 year after purchase. We can not be held responsible for use after this period.
Document retention:	3 years after purchase

All our products adhere to Regulation (EC) 1935/2004 and Regulation (EU) 10/2011 incl. amendments.



Nabewerking			Referentie		Versie	
Ruwheid	Materiaal	Getekend	Aantal	Tolerantie	Datum	Schaal
✓		MA			22/02/2022	1:1
DECA			ROTP133-DT			

This drawing is property of the decapackaging group and we reserve the copyright to all our designs which can not be reproduced transmitted disclosed to third parties or utilized in any form or by means, digital, electronic or mechanical, including photocopying (whether part/whole, or modified) without first obtaining our written consent. Contravention will be prosecuted. This drawing is subject to modification of its design and measurement from time to time to suit construction purposes.

All our products adhere to Regulation (EC) 1935/2004 and Regulation (EU) 10/2011 incl. amendments.